

RS Stock No. 1754077~1754111 (see below)

ENGLISH

Datasheet

# RS25 Aluminium Housed Resistors



## Product details:

Manufactured in line with the requirements of MIL 18546 and IEC 115, designed for direct heatsink mounting with thermal compound to achieve maximum performance

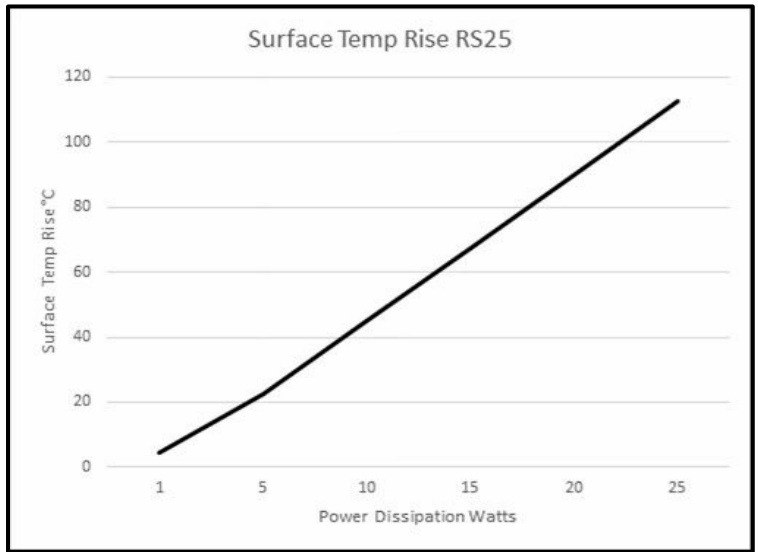
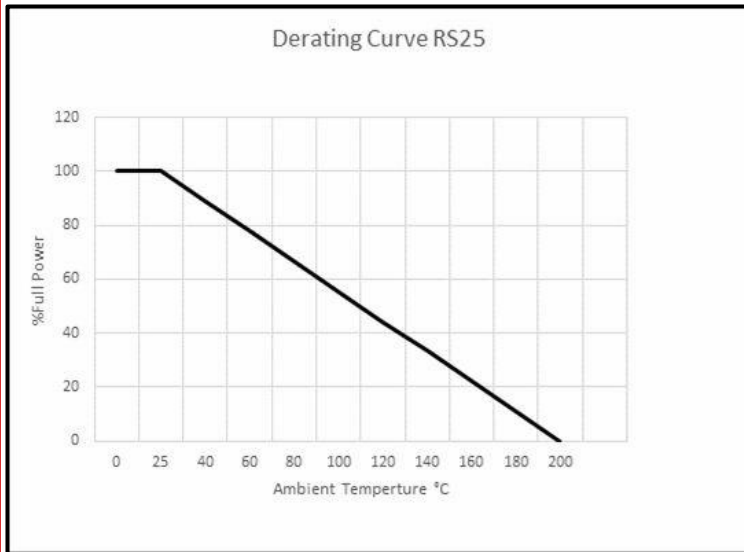
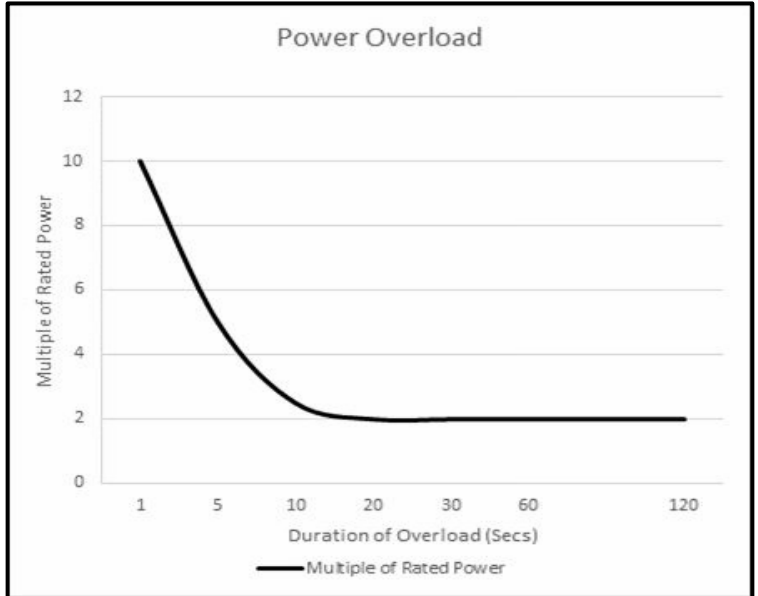
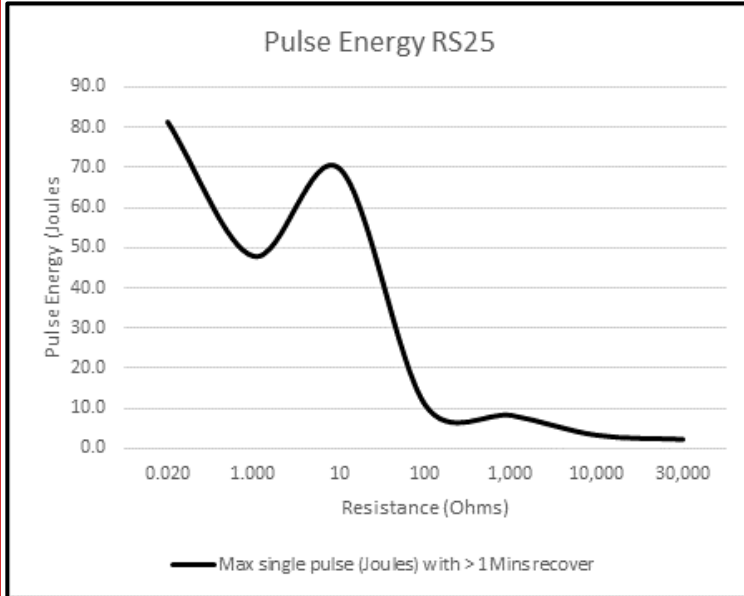
- High Power to volume
- Wound to maximise High Pulse Capability
- Values from R005 to 100K
- Custom designs welcome
- RoHS Compliant

## Heat dissipation:

Whilst the use of proprietary heat sinks with lower thermal resistances is acceptable, uprating is not recommended. For maximum heat transfer it is recommended that a heat sink compound be applied between the resistor base and heat sink chassis mounting surface. It is essential that the maximum hot spot temperature of 200°C is not exceeded, therefore, the resistor must be mounted on a heat sink of correct thermal resistance for the power being dissipated.



# Temp. Rise & Power Dissipation

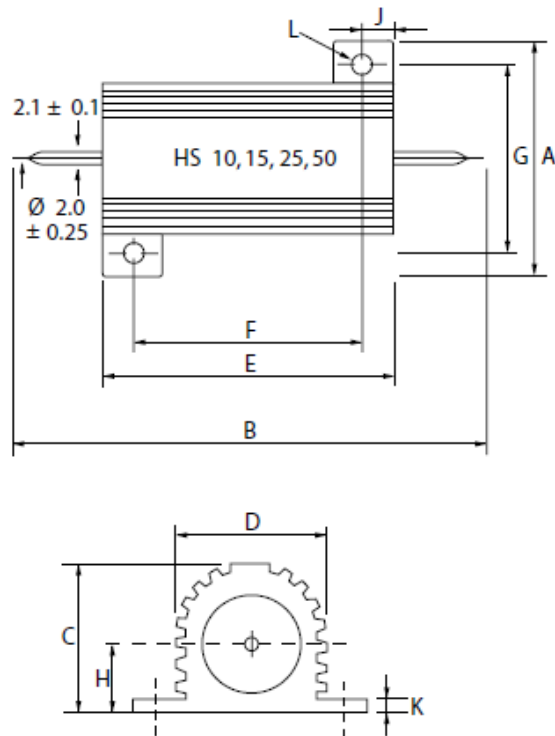




## Specifications:

|                                     |                     |
|-------------------------------------|---------------------|
| Style MIL-R 18546                   | RE 70               |
| Power rating on std. heatsink @25°C | 25                  |
| Watts with no heatsink @25°C        | 9                   |
| Resistance range                    | R005-36K            |
| Limiting element voltage            | 550                 |
| Voltage proof AC Peak               | 3500                |
| Voltage proof AC rms.               | 2500                |
| Approx weight gms                   | 14                  |
| Typical surface rise HS mounted     | 4.2                 |
| Standard heatsink                   | 535 cm <sup>2</sup> |
|                                     | 1 mm                |

## RS10-RS300 Standard:



## Dimensions (mm):

| Size | A Max | B Max | C Max | D Max | E Max | F+0.3 | G+0.3 | H Max | J Max | K Max | L +0.25 |
|------|-------|-------|-------|-------|-------|-------|-------|-------|-------|-------|---------|
| RS25 | 28.0  | 51.0  | 14.8  | 14.2  | 27.3  | 18.3  | 19.8  | 7.7   | 5.2   | 2.6   | 3.2     |

| RS Article No. | Power Rating | Resistance Rating |
|----------------|--------------|-------------------|
| 1754077        | 25W          | 56R               |
| 1754078        | 25W          | 4K7               |
| 1754079        | 25W          | 15K               |
| 1754080        | 25W          | 12R               |
| 1754081        | 25W          | 1K                |
| 1754082        | 25W          | 220R              |
| 1754083        | 25W          | 8R2               |
| 1754084        | 25W          | 3K9               |
| 1754085        | 25W          | 150R              |
| 1754086        | 25W          | 2K5               |
| 1754087        | 25W          | 470R              |
| 1754088        | 25W          | 27R               |
| 1754089        | 25W          | 18R               |
| 1754090        | 25W          | R05               |
| 1754091        | 25W          | R15               |
| 1754092        | 25W          | 2K2               |
| 1754093        | 25W          | 8K2               |
| 1754094        | 25W          | R27               |
| 1754095        | 25W          | R47               |
| 1754096        | 25W          | 5R6               |
| 1754097        | 25W          | 24R               |
| 1754098        | 25W          | 2R                |
| 1754099        | 25W          | 330R              |
| 1754100        | 25W          | R5                |
| 1754101        | 25W          | R68               |
| 1754102        | 25W          | R1                |
| 1754103        | 25W          | 3K3               |
| 1754104        | 25W          | R22               |
| 1754105        | 25W          | 10K               |
| 1754106        | 25W          | 1K5               |
| 1754107        | 25W          | 270R              |
| 1754108        | 25W          | 560R              |
| 1754109        | 25W          | R33               |
| 1754110        | 25W          | 180R              |
| 1754111        | 25W          | R24               |