

## RS PRO Geared DC Geared Motor

Stock No: 2588293,2588388

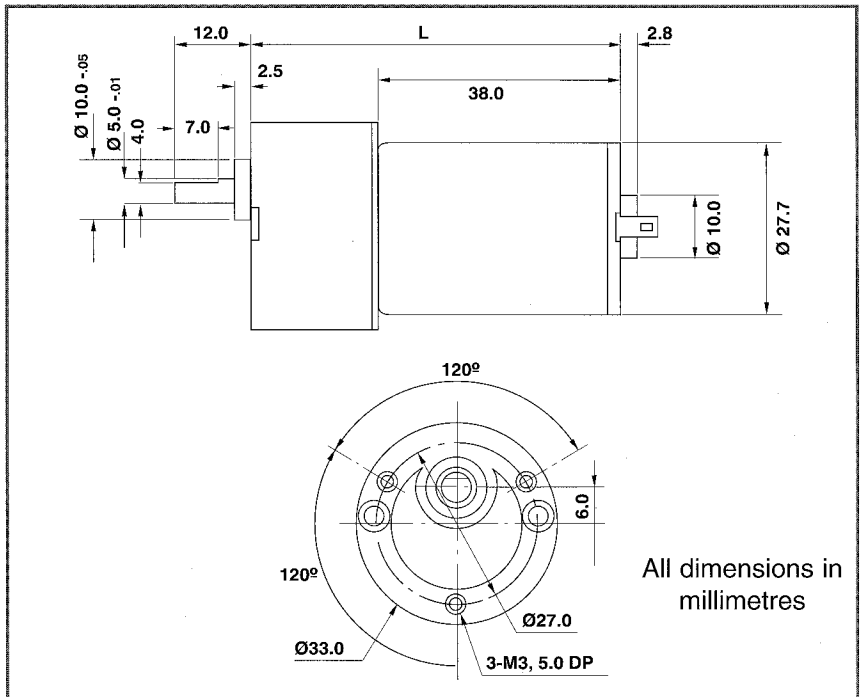
ENGLISH

The Igarashi IG33 range is designed for low cost, high volume applications such as vending machines, magnetic card readers, printer mechanisms, actuators and all types of coin control systems.

The IG33 is fitted with an all metal gearhead with sintered iron gears running on hardened steel shafts. The output shaft runs in sintered bronze bearings.

The permanent magnet motors are wound for different speeds for each voltage to give a wide choice of final speeds when matched to the seven gearheads.

Weight 115 - 140 gms according to ratio  
 Max. radial load: 50N (8mm from mounting face)  
 Max. axial load: 33N (at shaft centre)  
 Max. radial play: 0.08mm  
 Max. axial play: 0.50mm



Type	Voltage(V)	Ratio	*Output Rotation	Length (L) (mm)	Maximum Torque (mNm)	Nominal No load speed rev/min	Nominal No load current mA
2588293	24	20:1	CW	57.8	100	190	30
2588388	24	781:1	CW	66.8	300	5	30

\* The motors are bidirectional; the rotation listed is achieved with positive supply connected to +ve terminal on motor.