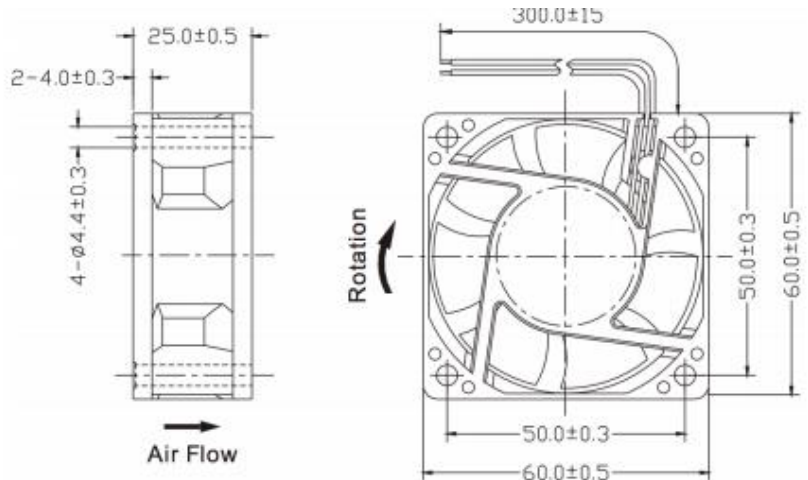


Datasheet

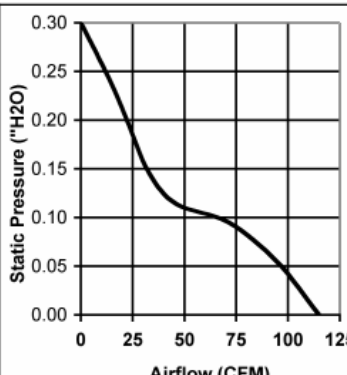
DC Axial Fan, 120 x 120 x 38mm, 196m/h, 60 V dc

RS Stock number 787-4000

Dimensions: (mm)



Specifications

Frame & Impeller	PBT, UL94V-O plastic	Available Options: IP55 Tachometer Alarm PWM Input (Pulse Width Modulation Speed Control) Salt Fog	
Connection	2x Lead wires, UL1007 24AWG		
Motor	Brushless DC, auto restart, IC protected		
Bearing System	Dual ball bearing		
Insulation Resistance	10M ohm between leadwire and frame (500VDC)		
Dielectric Strength	1 second at 500 VAC, max leakage - 500 MicroAmp		
Temperature Range	-20C ~ +70C		
Life (L10)	65,000 hours (45C)		

Model Number	
Part Number	
Nominal Voltage	60 VDC
Voltage Range	36 ~ 72 VDC
Nominal Current	0.30 A
Rated Speed (RPM)	2600
Airflow (CFM)	115
Noise Level (dB)	41
Max. Static Pressure	0.30" H2O