



# Datasheet

Stock No. 190-2892, 190-2893, 190-2894, 190-2895,  
190-2896, 190-2897, 190-2898, 190-2899, 190-2900,  
190-2901, 190-2902, 190-2903, 190-2904, 190-2905,  
190-2906, 190-2908, 190-2909, 190-2910



ENGLISH

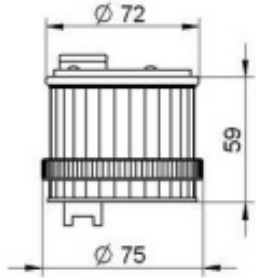
## RS PRO 70MM MULTI-EFFECT LIGHT MODULE



Led luminous module

| <b>DOME</b>                  | PC  |        |        |        |        |        |          |    |    |    |    |   |   |
|------------------------------|---|--------|--------|--------|--------|--------|----------|----|----|----|----|---|---|
| <b>RING</b>                  | PC  |        |        |        |        |        |          |    |    |    |    |   |   |
| <b>LUMINOUS SOURCE</b>       | N°12 LED  |        |        |        |        |        |          |    |    |    |    |   |   |
| <b>AVAILABLE COLOURS</b>     |   |        |        |        |        |        |          |    |    |    |    |   |   |
| <b>VOLTAGE</b>               | 24 Vdc/Vac - 110Vac - 240Vac  |        |        |        |        |        |          |    |    |    |    |   |   |
| <b>OPERATION</b>             | ∞   |        |        |        |        |        |          |    |    |    |    |   |   |
| <b>CURRENT CONSUMPTION</b>   | <table border="1"> <thead> <tr> <th></th> <th>24 Vdc</th> <th>24 Vac</th> <th>110Vac</th> <th>240Vac</th> </tr> </thead> <tbody> <tr> <td>mA (Max)</td> <td>65</td> <td>85</td> <td>35</td> <td>35</td> </tr> </tbody> </table> |        | 24 Vdc | 24 Vac | 110Vac | 240Vac | mA (Max) | 65 | 85 | 35 | 35 |   |   |
|                              | 24 Vdc  | 24 Vac | 110Vac | 240Vac |        |        |          |    |    |    |    |   |   |
| mA (Max)                     | 65  | 85     | 35     | 35     |        |        |          |    |    |    |    |   |   |
| <b>LIGHT OUTPUT</b>          | <table border="1"> <tbody> <tr> <td></td> <td></td> <td></td> <td></td> <td></td> <td></td> </tr> <tr> <td>11</td> <td>5</td> <td>5</td> <td>7</td> <td>3</td> <td>1</td> </tr> </tbody> </table>                               |        |        |        |        |        |          | 11 | 5  | 5  | 7  | 3 | 1 |
|                              |   |        |        |        |        |        |          |    |    |    |    |   |   |
| 11                           | 5   | 5      | 7      | 3      | 1      |        |          |    |    |    |    |   |   |
| <b>LIGHT EFFECT</b>          | Fissa - 1F - 2F - 3F<br>Steady - 1F - 2F - 3F<br>Fixe - 1F - 2F - 3F<br>Dauerlicht - 1F - 2F - 3F<br>Luz fija - 1F - 2F - 3F  |        |        |        |        |        |          |    |    |    |    |   |   |
| <b>IP RATING</b>             | IP66  |        |        |        |        |        |          |    |    |    |    |   |   |
| <b>OPERATING TEMPERATURE</b> | -30°C+50°C  |        |        |        |        |        |          |    |    |    |    |   |   |

These data are disclosed only for information purposes. RS Components reserves the right to modify them at any time without prior notice.

|                                  |  |
|----------------------------------|--|
| <b>VIBRATIONS</b>                | INDUSTRIAL CEI 60068-2-6 SINE  |
| <b>CERTIFICATIONS, APPROVALS</b> | CE   |
| <b>MOUNTING</b>                  | Ring   |
| <b>TECHNICAL DRAWING</b>         |  |

**Article Number**

**VOLTAGE**

**AVAILABLE COLOURS**

% \$&, - &  
 % \$&, - '  
 % \$&, - (  
 % \$&, - )  
 % \$&, - \*  
 % \$&, - +  
 % \$&, - ,  
 % \$&, - -  
 % \$&- \$ \$  
 % \$&- \$ %  
 1902902  
 1902903  
 1902904  
 1902905  
 1902906  
 1902908  
 1902909  
 1902910

&( J 57 #8 7  
 &( J 57 #8 7  
 &( J 57 #8 7  
 &( J 57 #8 7  
 &( J 57 #8 7  
 &( J 57 #8 7  
 %\$J 57  
 %\$J 57  
 %\$J 57  
 %\$J 57  
 %\$J 57  
 %\$J 57  
 &( \$ J 57  
 &( \$ J 57  
 &( \$ J 57  
 &( \$ J 57  
 &( \$ J 57  
 &( \$ J 57

