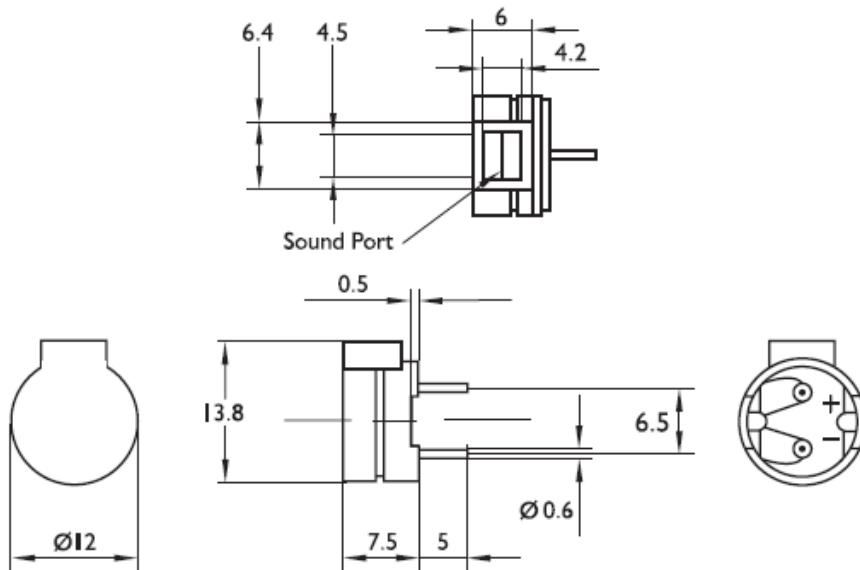


# Datasheet

## Electro Mechanical Buzzer

RS Stock number [780-0703](#)

### Dimensions(mm):



### Specifications:

Rated Voltage (Vp-p square wave):	1.5Vp-p
Operating Voltage:	1~3Vp-p
Rated Current at Rated Voltage:	$\leq 70\text{mA}$
Sound Output at 2731Hz at 10cm:	$\geq 85\text{dB}$
Resonant Frequency:	2731Hz
Coil Resistance:	$6.5 \pm 1\Omega$
Coil Impedance at 2731Hz:	$22\Omega$
Operating Temperature:	$-20\sim +70^{\circ}\text{C}$
Storage Temperature:	$-30\sim +85^{\circ}\text{C}$
Weight:	2g

Requires additional electronic circuitry to operate as a sounder

### Features:

- ROHS Compliant
- Side opening for sound emission

All data at 25°C unless otherwise specified