

Datasheet

RS PRO VINYL-INSULATED RING TERMINALS

Stock number: 178-8664

MAXIMUM ELECTRIC CURRENT:

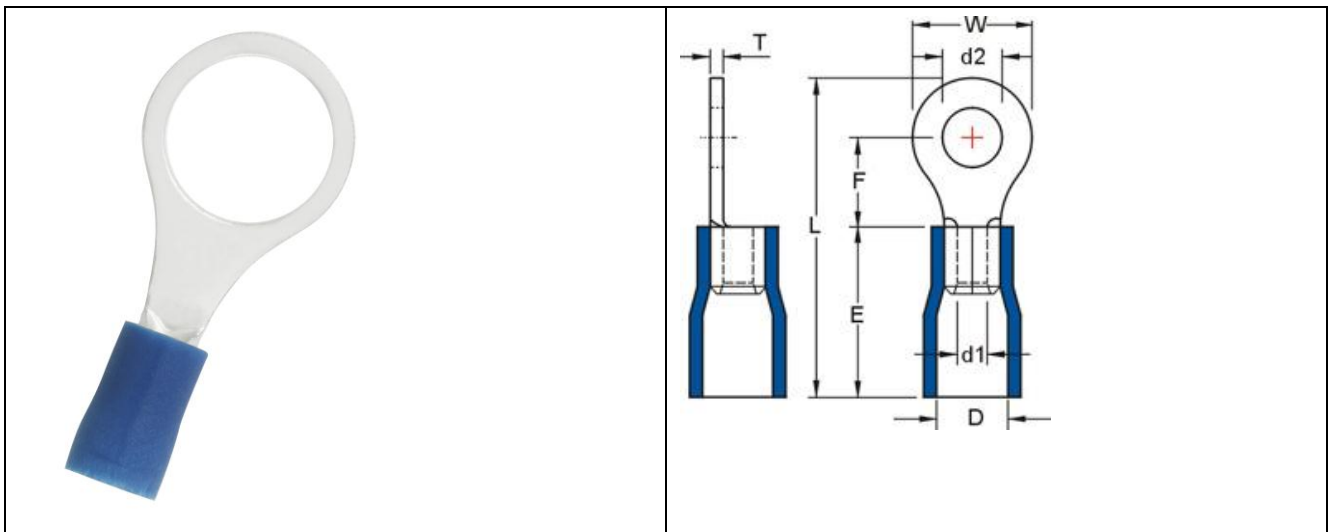
A.W.G.	16	14
AMP.	18	30


MAXIMUM ELECTRICAL RATING: 105° C 600 VOLTS MAX.

INSULATION MATERIAL: VINYL (PVC)

TERMINAL MATERIAL: COPPER

INSULATION COLOR: BLUE



WIRE RANGE A.W.G. mm ²	ITEM NO. BUTTED SEAM	STUD SIZE d2	DIMENSION inch(mm)							
			W	F	L	E	D	d1	T	
16-14 A.W.G. 1.5-2.5 mm ²	 178-8664	3/8	0.413 10.5	0.535 13.6	0.547 13.9	1.201 30.5	0.394 10	0.177 4.500	0.091 2.3	0.31 0.8