

FEATURES

- For all corrosive fluids and environment
- Mechanical strength
- Operating temperature range is from - 60 °C to + 300 °C

RS PRO T CONNECTOR 6 AISI316L

RS Stock No.: 2312718



RS PROfessionally Approved Products bring to you professional quality parts across all product categories. Our product range has been tested by engineers and provides a comparable quality to the leading brands without paying a premium price.

Product Description

The RS PRO T connector 6 is made up of stainless steel 316L. It is a perfect solution for multiple application and connection, it's possible to connect with several rigid metallic tube in complete safety (stainless steel, brass, aluminum, copper) but also plastic made tubes like polyurethane, polyamide, Teflon.
It is RoHS and REACH compliant. It has operating temperature range from - 60 °C to + 300 °C.

General Specifications

Fitting Type	Tee
Material	Brass
Fitting Direction	Tee
Application	Compressed Air, Pneumatic Automation, Industrial water circuits, Inert Gases, Fluids, Steam Vacuum

Mechanical Specifications

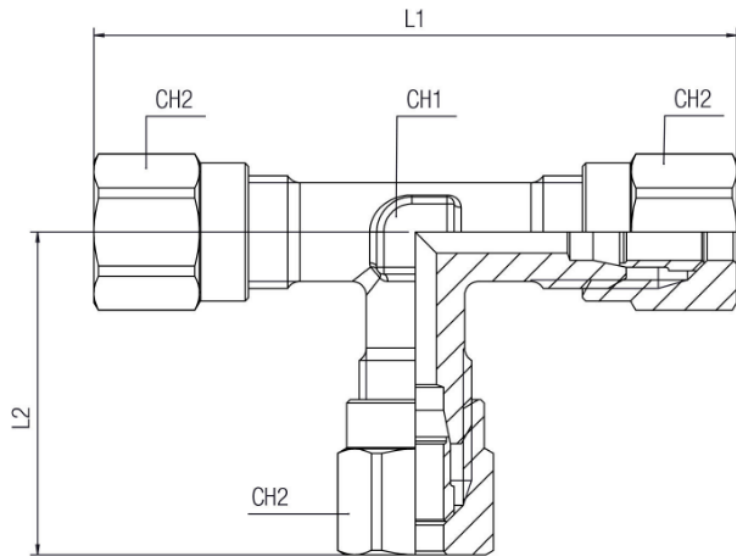
Pipe Fitting Connection Type	Threaded
Connection 1	M14 Metric Female
Connection Gender 1	Female
Thread Size 1	M14
Thread Standard 1	Metric
Connection 2	M14 Metric Female
Connection Gender 2	Female
Thread Size 2	M14
Thread Standard 2	Metric
Connection 3	M14 Metric Female
Length 1	46mm
Length 2	23mm
Wrench Size	9mm

Operation Environment Specifications

Temperature	Min.	Max.
	- 60 °C	+ 300 °C

Approvals

Approvals	RoHS and REACH compliant
-----------	--------------------------



Tube	L1	L2	CH1	CH2	Pack
6	46	23	9	12	2

