



ENGLISH

Datasheet

RS PRO IP67 USB-A 3.0 – Plastic Cable Mount plug with 2m Cable



The RS PRO series of waterproof plastic USB-A connectors are a range of ruggedised IP67 connectors designed to be used outdoors or in harsher industrial environments. Designed to fit panel cut outs of 20.75mm the plastic USB-A series also comes with rear potting on the panel mount connectors. This ensures your panel is still sealed to an IP67 rating even when the connector is unmated, and the sealing cap is not connected. The threaded mating allows for a secure connection while the Gold-plated contacts and USB Version 3.0 ensures 5Gbps data speeds.

Features & Benefits:

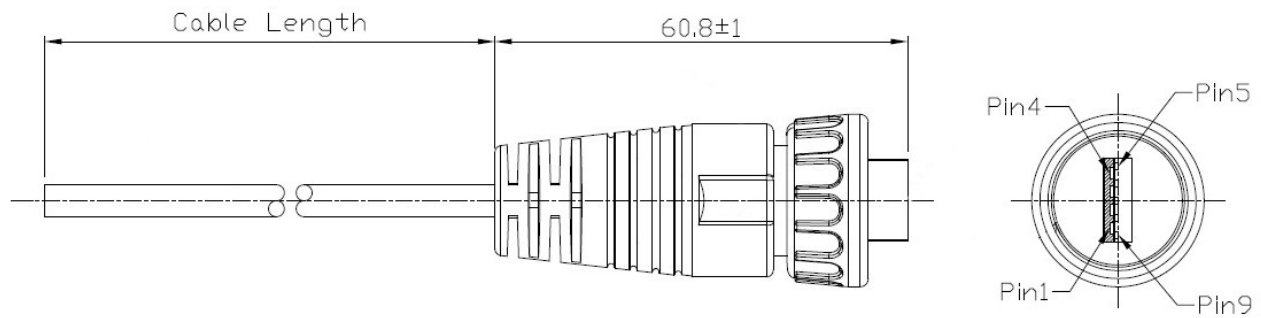
- PA66 Housing
- IP67
- Threaded Mating
- USB-A 3.0
- Speeds up to 5Gbps

Quality Standards



Dimensional line drawings

231-7889



1	Red	
2	White	⌈
3	Green	
4	Black	
5	Blue	⌈
6	Yellow	
7	Drain	
8	Purple	⌈
9	Orange	
Shell	Braid	

Wiring Diagram