

Datasheet

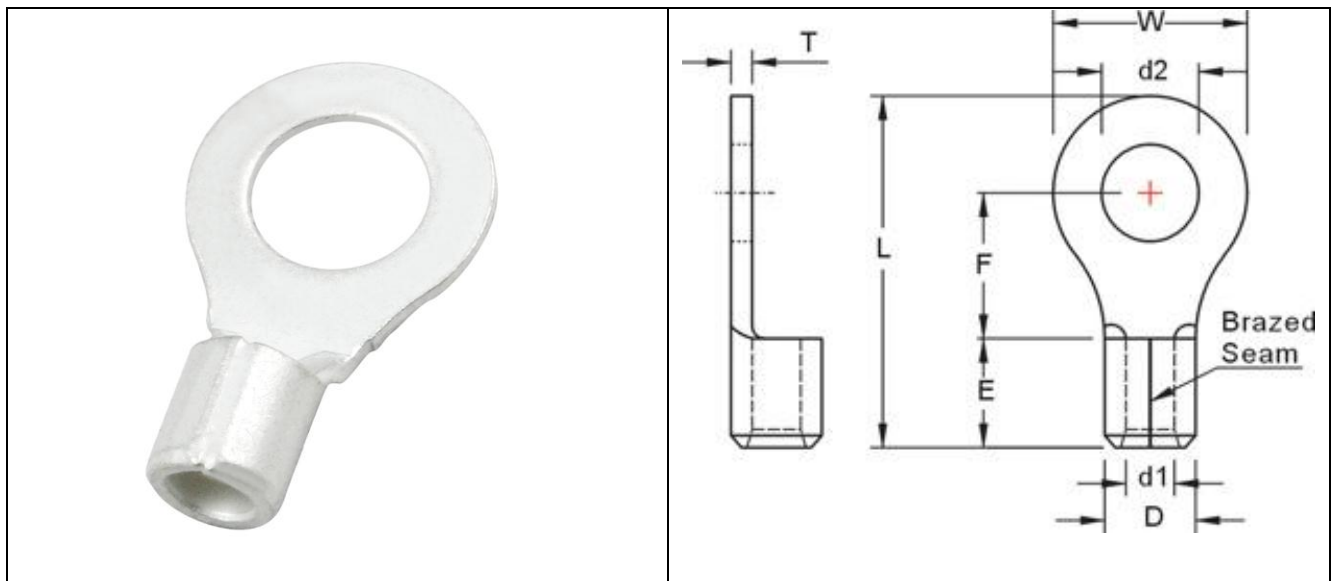
RS PRO NON-INSULATED RING TERMINALS

Stock number: 178-8607

MAXIMUM ELECTRIC CURRENT:

| | | |
|--------|----|----|
| A.W.G. | 16 | 14 |
| AMP. | 18 | 30 |

TERMINAL MATERIAL: COPPER
SURFACE TREATMENT: TIN PLATED



| WIRE RANGE A.W.G. mm ² | ITEM NO. BRAZED SEAM | STUD SIZE 2 x d2 | DIMENSION inch(mm) | | | | | | | |
|---|-------------------------|---------------------|--------------------|-------|-------|------|-------|-------|-------|-------|
| | | | W | F | L | E | D | d1 | T | |
| 16-14 A.W.G. | ☐ 178-8607 | #8 | 0.169 | 0.335 | 0.291 | 0.65 | 0.189 | 0.161 | 0.091 | 0.031 |
| 1.5-2.5 mm ² | | | 4.3 | 8.5 | 7.4 | 16.5 | 4.8 | 4.100 | 2.3 | 0.8 |