

5mm Screw PCB Terminal Single Mold

multicomp PRO

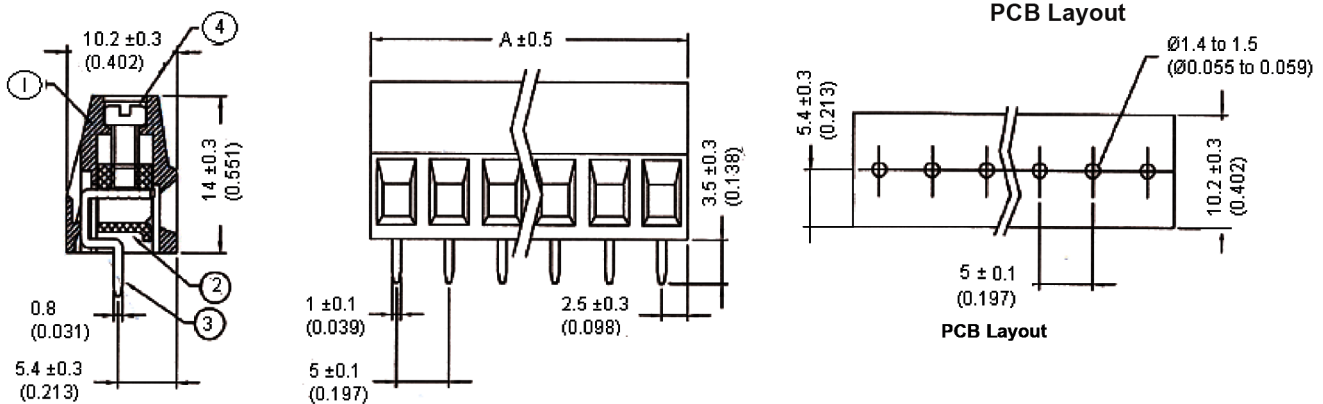
**RoHS
Compliant**



Specifications

Current Rating	: 16 Amperes, 300V AC
Min. Insulation Withstand Voltage	: 2,000V AC
Insulation Resistance	: >2,000MΩ 500V DC
Operating Temperature	: -40°C to +105°C
Wire Strip Length	: 4mm to 5mm
Wire Range	: 12 to 26 AWG
Screw Torque	: 7 lb-inch

Diagram



Dimensions : Millimetres (Inches)

Specification Table

No.	Material	Material	Plating / Finish	Remark
1	Insulating body	Polyamide 66	-	Green
2	Cage clamp	Steel	Ni plated	-
3	Terminal	Brass	Tin plated	-
4	Screw	Steel	Ni plated	-

Dimensions Table

Pitch : 5mm (0.197 inch)		
Poles	A (mm)	A (Inch)
2	10	0.394
3	15	0.591
4	20	0.787
5	25	0.984
6	30	1.181
8	40	1.575
10	50	1.969
12	60	2.362

Newark.com/multicomp-pro
Farnell.com/multicomp-pro
Element14.com/multicomp-pro

multicomp PRO

5mm Screw PCB Terminal Single Mold

multicomp PRO

Part Number Table

Description	Part Number
Terminal Black PCB 5mm Screw 02 Way	MC000026
Terminal Black PCB 5mm Screw 03 Way	MC000027
Terminal Black PCB 5mm Screw 04 Way	MC000028
Terminal Black PCB 5mm Screw 05 Way	MC000029
Terminal Black PCB 5mm Screw 06 Way	MC000030
Terminal Black PCB 5mm Screw 08 Way	MC000031
Terminal Black PCB 5mm Screw 10 Way	MC000032
Terminal Black PCB 5mm Screw 12 Way	MC000033

Important Notice : This data sheet and its contents (the "Information") belong to the members of the AVNET group of companies (the "Group") or are licensed to it. No licence is granted for the use of it other than for information purposes in connection with the products to which it relates. No licence of any intellectual property rights is granted. The Information is subject to change without notice and replaces all data sheets previously supplied. The Information supplied is believed to be accurate but the Group assumes no responsibility for its accuracy or completeness, any error in or omission from it or for any use made of it. Users of this data sheet should check for themselves the Information and the suitability of the products for their purpose and not make any assumptions based on information included or omitted. Liability for loss or damage resulting from any reliance on the Information or use of it (including liability resulting from negligence or where the Group was aware of the possibility of such loss or damage arising) is excluded. This will not operate to limit or restrict the Group's liability for death or personal injury resulting from its negligence. Multicomp Pro is the registered trademark of Premier Farnell Limited 2019.

Newark.com/multicomp-pro
Farnell.com/multicomp-pro
Element14.com/multicomp-pro

multicomp PRO