

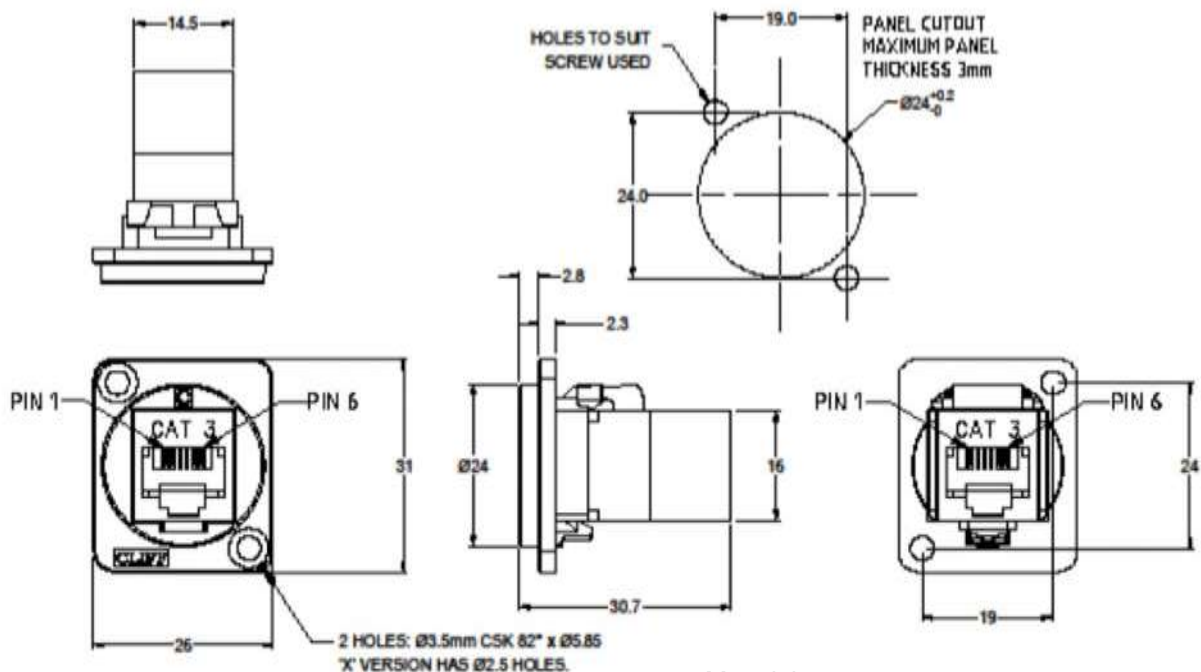


ENGLISH

## Datasheet

# RS PRO CAT 3 RJ12 6P6C FEEDTHROUGH CONNECTOR

Stock No: 2050433, 2050444



### Material:

1. RJ12 In-Line Coupler:  
PC/ABS, UL 94V-0, Black colour
2. RJ12 In-Line Coupler Contact: Phosphor Bronze, 3-50 micro inches gold plating over nickel plate.
3. PCB: FR4, UL 94V-0
4. Frame: Polyamide 94V-2

[rspro.com](http://rspro.com)

### Feedthrough Features

- Fits standard XLR Ø24mm cutout.
- No soldering or punch termination. Use standard cable for each connector style.
- Front or rear mounted.
- Low rear profile

### General:

Please note: Functionality is affected by cable quality, length and cable wiring configuration.

### Part No.

CP30224 Cat3 RJ12 6P6C Black plastic frame, CSK holes

CP30224X Cat3 RJ12 6P6C Black plastic frame, PLAIN holes



[rspro.com](http://rspro.com)

