



ENGLISH

Datasheet

RS Pro M2 HSS 4 to 12mm Step Drill Bit, 5 Steps

RS Stock No: **423-854**



Product Details

RS Pro 5 step drill bit is made of M2 HSS and has a drill diameter from 4 to 12 mm. It gives excellent non-slip characteristics when used in three-jaw chucks. It works as a precision ground, HSS power tool accessories with 1/4 Inch hexagon shanks.

Features and Benefits

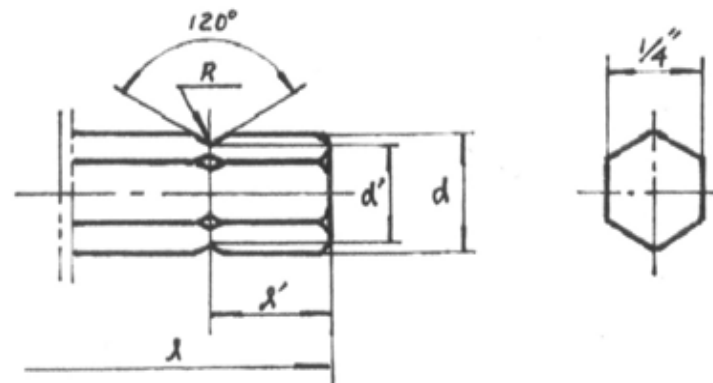
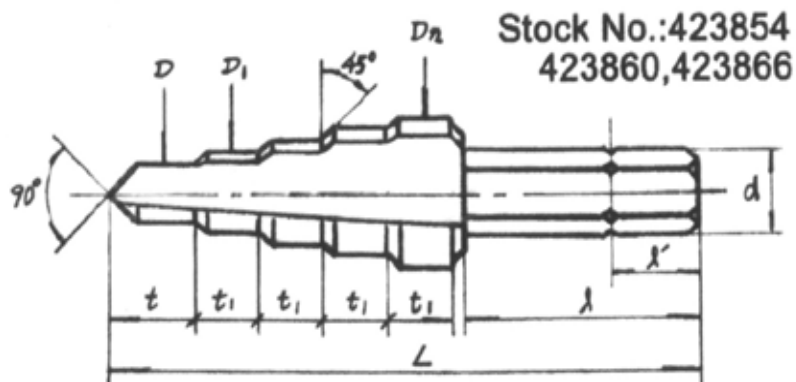
- 5 steps
- 4 to 12 mm head size
- Excellent non-slip characteristics
- 1/4 Inch hexagon shank
- Made from M2 HSS



ENGLISH

Specifications:

Drill Diameter	4 to 12 mm
Material	M2 HSS
Maximum Head Size	12 mm
Minimum Head Size	4 mm
Number of Steps	5
Overall Length	55 mm
Shank Diameter	7.15 mm
Shank Length	22 mm



RS STOCK NUMBER	MANUFACTURE PART NO.	NUMBER OF STEPS	NOMINAL STEP DIA.(mm)	OVERALL LENGTH (L)	SHANK LENGTH(l)	SHANK DIA.(d)	NO. OF FLUTE
423854	T54000412H	5	4 6 8 10 12	55mm	22mm	7.15mm	2
423860	T54000513H	5	5 7 9 11 13	55mm	22mm	7.15mm	2
423866	T54000820H	7	8 10 12 14 16 18 20	69MM	22mm	7.15mm	2

Remarks:

- Material: HSS M2