



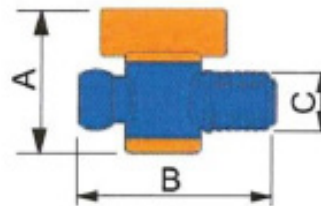
ENGLISH

# Datasheet

## RS Pro Coolant Hose 1/2" System

### Male NPT Valves

RS Stock No: 623-5381



### Specifications:

Electrically non-conductive

Rust proof

Chemically resistant

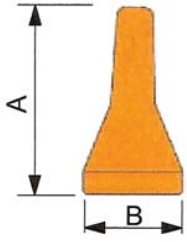
All parts interchangeable

Material:

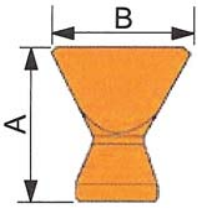
Polyoxymethylene (POM), also known as acetal, polyacetal and polyformaldehyde

Order Code	Manufacturers Code	Type/Size	A (mm)	B (mm)	C (mm)
623-5381	CS-100-314	Male NPT Valves	41	61	1/2" NPT

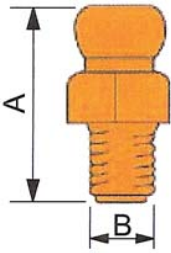
**Round Nozzles**

	<b>1/4" System</b>				<b>1/2" System</b>			
	Code	Type/Size	A mm	B mm	Code	Type/Size	A mm	B mm
	623-4984	Round 1/16"	30	16	623-5050	Round 1/4"	37	25
	623-4990	Round 1/8"	30	16	623-5072	Round 3/8"	37	25
	623-5000	Round 1/4"	30	16	623-5101	Round 1/2"	37	25

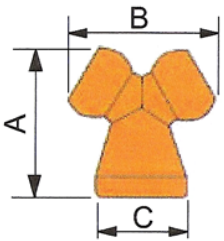
**Flared Nozzles**

	<b>1/4" System</b>				<b>1/2" System</b>			
	Code	Type/Size	A mm	B mm	Code	Type/Size	A mm	B mm
	623-5022	Flared 1"	30	28	623-5123	Flared 1"	30	34

**NPT Connectors**

	<b>1/4" System</b>				<b>1/2" System</b>			
	Code	Type/Size	A mm	B mm	Code	Type/Size	A mm	B mm
	623-5016	1/8" NPT	26	1/8" NPT	623-5145	3/8" NPT	38	3/8" NPT
	623-5038	1/4" NPT	26	1/4" NPT	623-5167	1/2" NPT	38	1/2" NPT

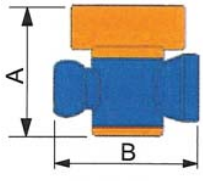
**Y Fittings**

	<b>1/4" System</b>					<b>1/2" System</b>				
	Code	Type/Size	A mm	B mm	C mm	Code	Type/Size	A mm	B mm	C mm
	623-5044	1/4 Y	27	27	16	623-5117	1/2 Y	44	50	25

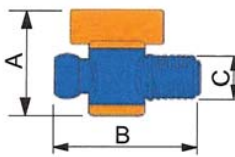
**Straight Reducer**

	<b>1/2" System to 1/4" System</b>			
	Code	Type/Size	A mm	B mm
	623-5139	1/2" to 1/4"	34	25

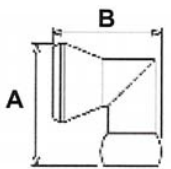
In-Line Valves

	<b>1/4" System</b>				<b>1/2" System</b>			
	Code	Type/Size	A mm	B mm	Code	Type/Size	A mm	B mm
	623-5268	1/4 In-Line	31	35	623-5375	1/2" In-Line	41	58

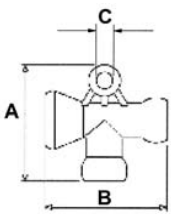
Male NPT Valves

	<b>1/4" System</b>					<b>1/2" System</b>				
	Code	Type/Size	A mm	B mm	C mm	Code	Type/Size	A mm	B mm	C mm
	623-5280	1/4 NPT	31	41	1/4"NPT	623-5381	1/2" NPT	41	61	1/2" NPT

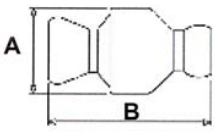
Elbow Fittings

	<b>1/4" System</b>				<b>1/2" System</b>			
	Code	Type/Size	A mm	B mm	Code	Type/Size	A mm	B mm
	623-5066	1/4"	26	23	623-5381	1/2"	38	34

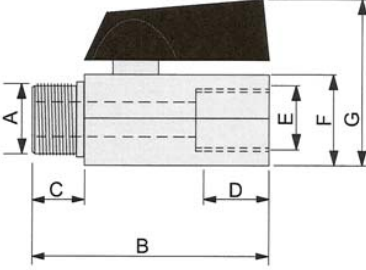
T Fitting

	<b>1/4" System</b>					<b>1/2" System</b>				
	Code	Type/Size	A mm	B mm	C mm	Code	Type/Size	A mm	B mm	C mm
	623-5274	1/4 T	32	34	4.75	623-5347	1/2" T	44	48	4.75

In-Line Check Valve

	<b>1/4" System</b>				<b>1/2" System</b>			
	Code	Type/Size	A mm	B mm	Code	Type/Size	A mm	B mm
	623-5246	1/4" Non Return Valve	21	41	623-5369	1/2" Non Return Valve	24	47.5

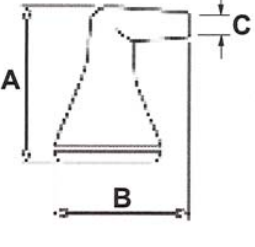
Metal Ball Valves



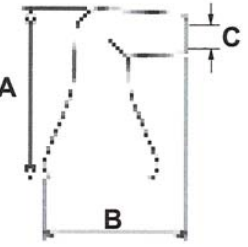
Suitable for domestic water services, heating, air conditioning plants and compressed air systems  
 Minimum Working Temperature: 0°C  
 Maximum Working Temperature: 90°C  
 Valve body manufactured from brass with a bright chrome finish

Code	A mm	B mm	C mm	D mm	E mm	F mm	G mm
623-5202	1/8" NPT	35	9	9	1/8" NPT	20	35
623-5224	1/4" NPT	40	12	12	1/4" NPT	20	35
623-5173	3/8" NPT	40	12	12	3/8" NPT	20	35
623-5195	1/2" NPT	45	12	12	1/2" NPT	25	42

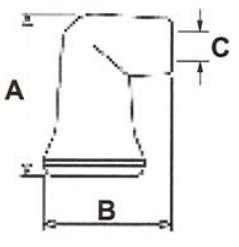
90° Nozzle Kit



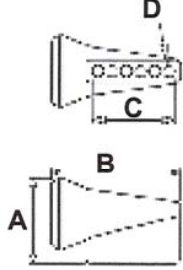
**SMALL**



**MEDIUM**



**LARGE**



**SPRAY BAR**

**1/4" System: Code: 623-5296**

Description	A mm	B mm	C mm
1/4" x 90° Nozzle: Small	25	20	1.9
1/4" x 90° Nozzle: Medium	25	20	3.6
1/4" x 90° Nozzle: Large	25	20	6.1

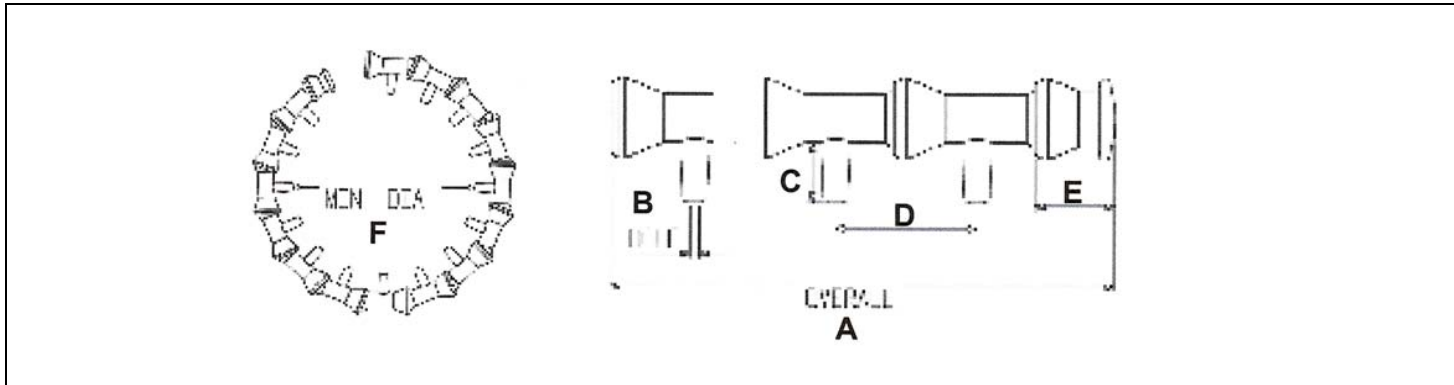
Description	A mm	B mm	C mm	D mm
1/4" Spray Bar	19	30	19	2.3

**1/2" System: Code: 623-5353**

Description	A mm	B mm	C mm
1/2" x 90° Nozzle: Small	30	36	6.8
1/2" x 90° Nozzle: Medium	30	37	9.5
1/2" x 90° Nozzle: Large	30	39	12.5

Description	A mm	B mm	C mm	D mm
1/2" Spray Bar	31	57	43	4.2

Circular Flow Assembly



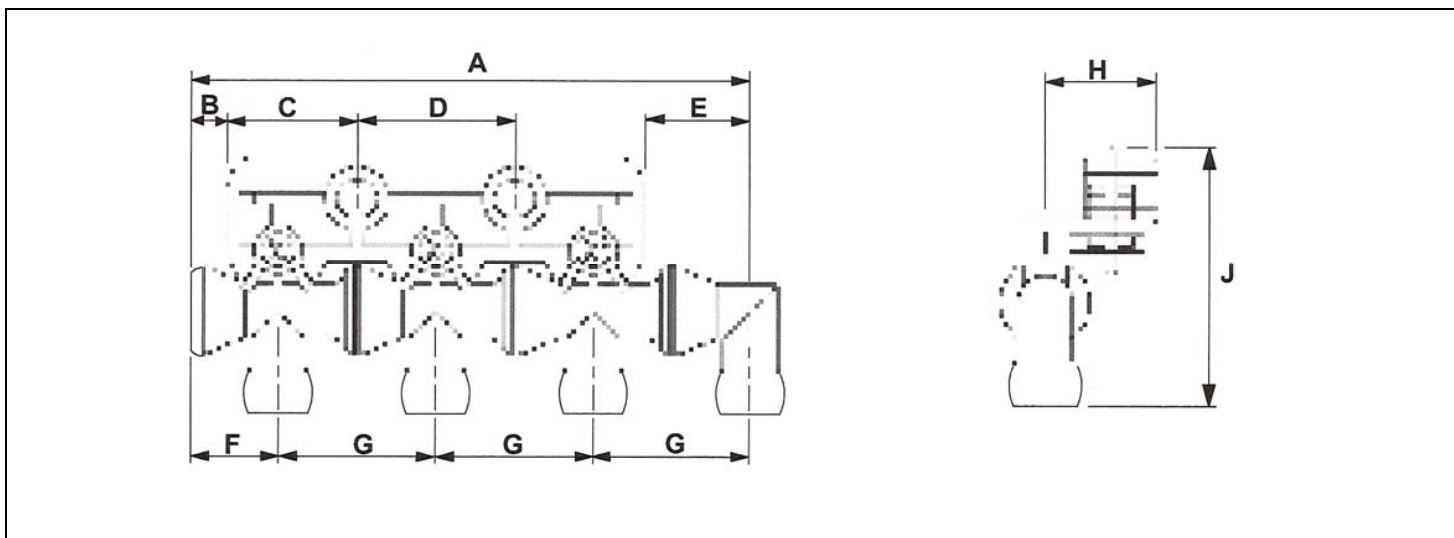
1/4" System: Code: 623-5230

Description	A mm	B mm	C mm	D mm	E mm	F mm
1/4" Assembly	434	1.9	11	28	17	110

1/2" System: Code: 623-5331

Description	A mm	B mm	C mm	D mm	E mm	F mm
1/2" Assembly	605	3.36	12	38	20	165

Manifold Set



Code	Description	A mm	B mm	C mm	D mm	E mm	F mm	G mm	H mm	J mm
623-5303	1/4" Manifold System	102	86	23	28	20	17	28	20	44