

FEATURES

- Made of PC
- Lid made of transparent PC
- Available in light gray colour
- Protection against liquids and solid objects: IP67 rating
- Supplied with four screws
- Threaded brass inserts for reliable assembly.

RS PRO Hermetic Enclosures

RS Stock No.: 2384010



RS Professionally Approved Products bring to you professional quality parts across all product categories. Our product range has been tested by engineers and provides a comparable quality to the leading brands without paying a premium price.

Product Description

Hermetic enclosure ideal for applications requiring protection against water ingress. The enclosure is manufactured with polyurethane gasket that provides IP67 rating. Lid manufactured with recess for membrane keypads and overlays. Threaded brass inserts ensures reliable assembly of the enclosure.

General Specifications

| | |
|-------------|--------------------------------|
| Type | Full |
| Material | PC, Transparent PC |
| Colour | Lightgray with transparent lid |
| Accessories | Screw M3 17/10 – 4 psc |
| Mounting | Internal wall mount |

Mechanical Specifications

| | |
|--------|---------------------|
| Height | 74.7 mm |
| Width | 104.95 mm |
| Length | 104.95 mm |
| Gasket | Polyurethane Gasket |

Protection Category

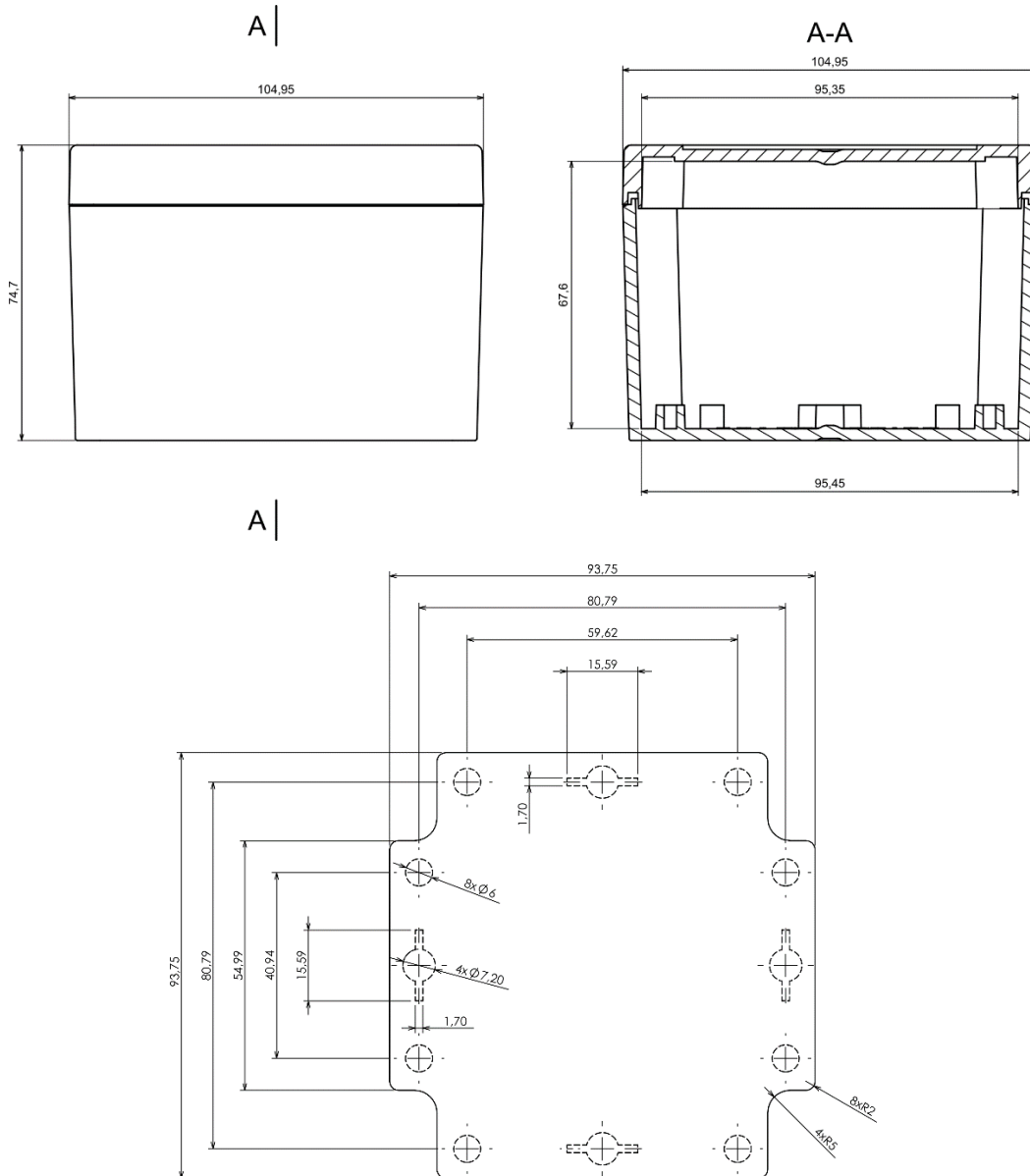
| | |
|------------------------|------|
| Protection level | IP67 |
| Shock Protection Level | IK07 |

Approvals

| | |
|---------------|----------------|
| Declarations | CE |
| Standards Met | RoHS Compliant |

Similar Products

| Stock No. | Brand | Product Name | Colour | Material |
|-----------|--------|--------------|--------------------------|-----------------------|
| 2384010 | RS PRO | Hermetic | Lightgrey Transparent | PC, Transparent PC |
| 2384008 | RS PRO | Hermetic | Lightgrey | ABS |



Dashed line shows outline of the mounting boss under PCB board
 Recommended mounting holes diameter $\varnothing 4$ mm
 All dimensions are given within +/-0,5mm tolerance