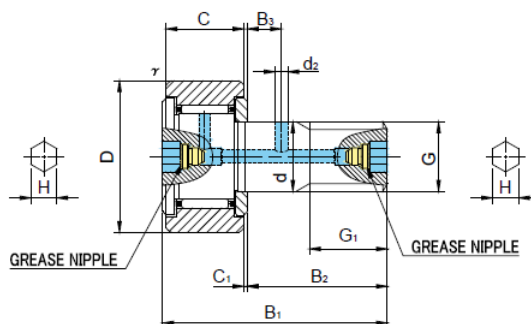


Datasheet

Stock No: 2346949

RS PRO Standard Type Cam Follower, Crowned Outer, Steel



Standard Type Cam Follower, Crowned Outer, Steel

Specifications:

Basic dimensions

Outer diameter [D]	40 mm
Outer width [C]	20 mm
Stud diameter [d]	18 mm
Thread size [G]	M18 X 1.25
Thread length [G1]	19 mm
Overall length [B1]	58 mm
Stud length [B2]	36.5 mm

Physical properties

Load rating dynamic [Cr]	14700 n
Load rating static [C0r]	25200 n
Limiting speed grease	8500 rpm

Other data

Weight	0.2500 kg
--------	-----------