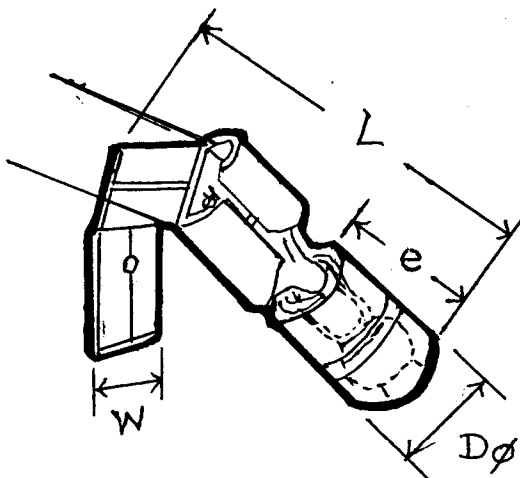




RS NO.: 534-367



Wire Range		Color	Dimension (mm)				Stud Size	
AWG	mm <sup>2</sup>		W	L	DØ	e	AWG	mm
22-16	0.5-1.5	RED	6.3	23.3	4.3	9.8	0.250X0.32	6.3X0.8

NOTE: TOLERANCE OF DIMENSION  $\pm 0.4\text{mm}$   
 FINISH: 3-5 TIN PLATING  
 MATERIAL: BRASS

PACKING: A) PER PACK : 100 pcs in a polybag with RS Label.  
 PER CARTON: 100 packs.  
 B) PER PACK : 1,000 pcs in a polybag with RS Label.  
 PER CARTON: 10 packs.

