

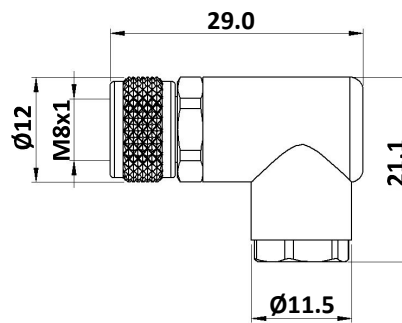


ENGLISH

Datasheet

Stock No. 1863086

RS PRO Connector Assembly



M08 Female Right Angle

Product may differ from image

General Specification

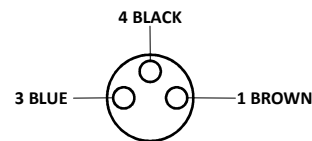
Rated Operational Voltage	30 V
Current Rating	3A
Insulation Resistance	>= 100 MΩ
Temperature Range	-25°C ... +75°C
Degree of Protection	IP67

Material Specification

Grip Material	Nylon 66
Contact	Cu-Zn
Contact Plating	Gold Flash
Contact Carrier	Nylon 66
O-Ring	Neoprene
Grip Colour	Black
Termination	Screw
Pole	3
Cable Gland	PG5
Coupling Nut	Brass Nickel-plated

All dimensions are in mm.

Pin Diagram



*Accessories

Recommended screw driver:

Part no. 2250632 (Art. 3675.025)

Make: Corolus



*Accessories are not in our scope of supply.

Specifications are subject to change without notice.



Type Approved
Safety
Regular Production
Surveillance
www.tuv.com
ID: 1111210482

