

Check Valves

Features

- Compact
- Lightweight
- Durable and convenient
- DZR Copper Alloy
- BS EN 13959
- Max inlet pressure 10 bar
- Min inlet pressure 0.1 bar

RS PRO Double Check Valves – 10 bar

RS Stock No: 242-2818, 242-2819, 242-2820, 242-2821,
242-2822, 242-2823

RS Stock No: 242-2824, 242-2825, 242-2826



RS PRO Professionally Approved Products bring to you professional quality parts across all product categories. Our product range has been tested by engineers and provides a comparable quality to the leading brands without paying a premium price.

Check Valves

Product Description

Use RS PRO check valves as a preventative measure to protect water supplies from contamination. Once installed check valve prevents backflow and back-siphonage contamination thanks to the double valve design that offers a failsafe backup should one of the valves fail.

Compact
Lightweight
Durable and convenient
Copper Alloy / Brass

General Specifications

Body	DZR Copper Alloy
Cartridge	Plastic
Test Plug	Nylon/ Plastic
O ring	Nitril/EPDM Rubber
Compression nut	Brass
Olive	Brass
Standards	BS EN 13959

Technical Specifications

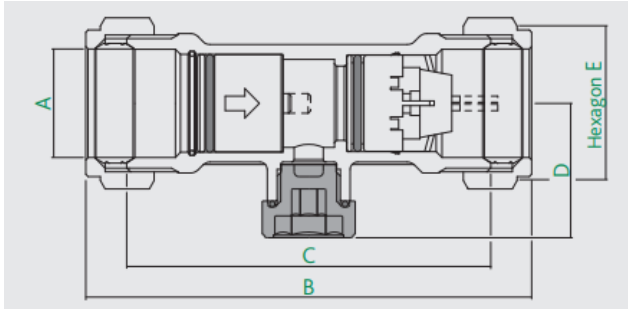
Max inlet pressure	10 bar
Min inlet pressure	0.1 bar
Max continuous temperature	85°C
Conforms to	BS EN 13959

Approvals

Approval	WRAS approved product
----------	-----------------------

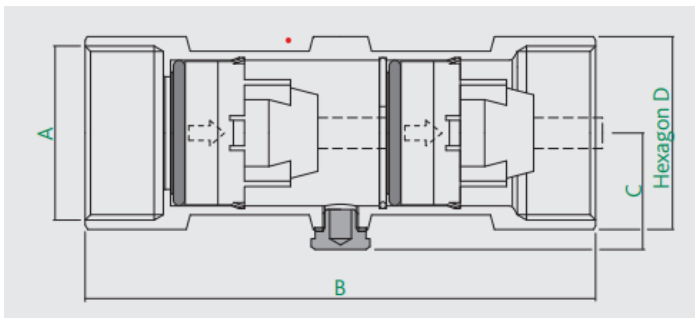
Check Valves

Dimensions



Connection: Copper X Copper

RS Stock no	Dia. A	B	C	D	E A/F	Kg
242-2824	15 mm	79	62	24.5	24	0.15
242-2825	22 mm	92	75	27.5	31.5	0.19
242-2826	28 mm	107	89	30.5	39	0.29



Connections: F x F Screwed iron

RS Stock no	A	B	C	D A/F	kg
2422818	G $\frac{1}{2}$	64	18	24	0.15
2422819	G $\frac{3}{4}$	78	21	32	0.24
2422820	G1	77	25	38	0.36
2422821	Rc1 $\frac{1}{4}$	124	28.5	46	0.40
2422822	Rc1 $\frac{1}{2}$	141	32.0	53	0.50
2422823	Rc2	182	37.5	64	0.60