

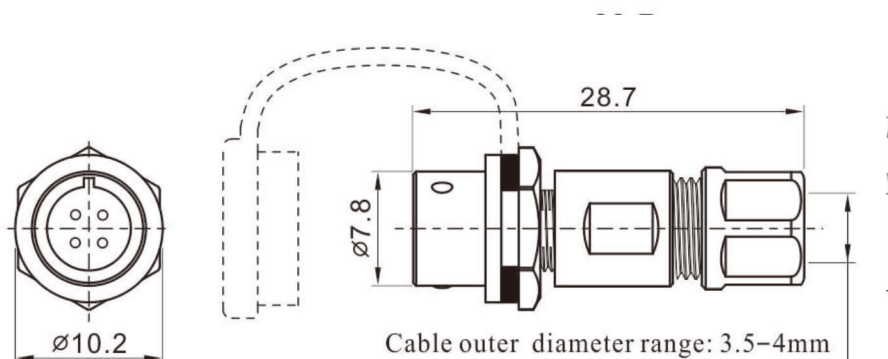



Every part matters

EN

RS Pro IP67 6mm Push-Pull In-Line Connector Female 4 Pole

Stock Number: 188-9478



| | |
|-----------------------------------|---|
| Male contact face view |  |
| Rated current (A) | 3 |
| Contact diameter (mm) | 0.6 |
| Rated voltage (AC.V) | 30 |
| Test voltage(AC.V) 1 min | 500 |
| Contact resistance (mΩ) | 10 |
| Wire size (mm ² / AWG) | ≤ 0.5/20 |