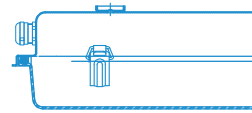


LED WATERTIGHT LUMINAIRE



LSW SERIES (LITE)



Application

Decks, Yards, Coldrooms

Mounting Method

Surface mounted

Material

Diffuser: Polycarbonate
Housing: SUS316 stainless steel or
Zinc coated steel, Powder coated white

Electrical

Flexible wiring, Heat resistant up to 105°C

Options

100V ~ 120V AC
220V ~ 240V AC

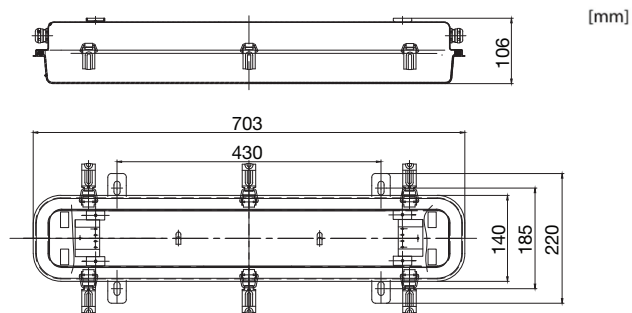
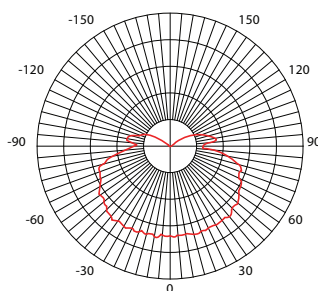
Weight

LSW21LX: 2.6Kg LSW22LX: 2.7Kg
LSW41LX: 4.8Kg LSW42LX: 5.0Kg
With 3Hr emergency backup battery: Add 0.18Kg

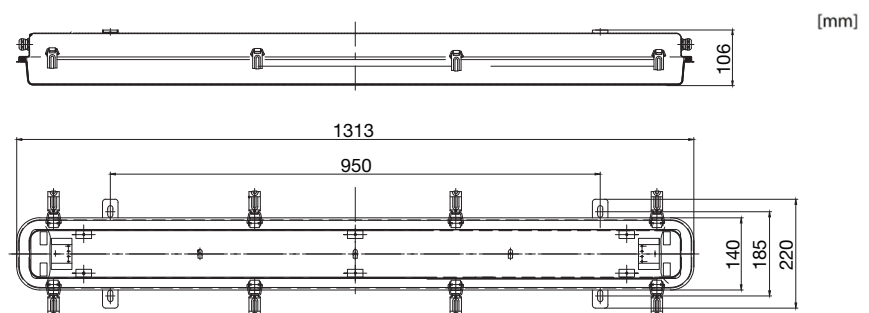
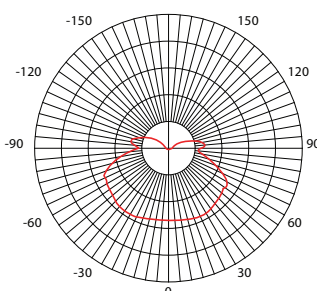
Key Features

- Built-in with high thermal efficient linear module that allows lighting to operate at ambient temperature of up to 45°C
- Special designed clear polycarbonate diffuser to optimize the LED light transmission
- Long service life of 50,000 hours L70 @ 45°C (Ta)
- Safety, EMC and IEC compliance
- Available with battery backup system and emergency lighting

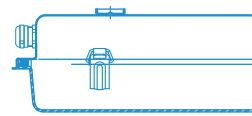
LSW21LX/LSW22LX



LSW41LX/LSW42LX



LED WATERTIGHT LUMINAIRE



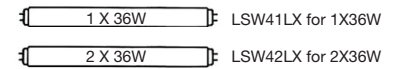
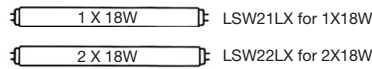
LSW SERIES (LITE)

- B Denotes : With 3Hr battery backup
- E Denotes : With DC24V emergency LED

TECHNICAL SPECIFICATIONS



Ideal Replacement:



BH Code	Type	Main Voltage	Power	CCT	Ambient Temp (Ta)	System Lumen	Housing
IGLALSW21LS6XA1	LSW21LSX	100V - 120V AC	1x10W	6500K	-30°C ~ +45°C	1100lm	SUS316 Stainless Steel
IGLALSW21LS6XA1E	LSW21LSX	100V - 120V AC	1x10W	6500K	-30°C ~ +45°C	1100lm	SUS316 Stainless Steel
IGLALSW21LS6XA1B	LSW21LSX	100V - 120V AC	1x10W	6500K	-30°C ~ +45°C	1100lm	SUS316 Stainless Steel
IGLALSW21L6XA1	LSW21LX	100V - 120V AC	1x10W	6500K	-30°C ~ +45°C	1100lm	Zinc Coated Steel
IGLALSW21L6XA1E	LSW21LX	100V - 120V AC	1x10W	6500K	-30°C ~ +45°C	1100lm	Zinc Coated Steel
IGLALSW21L6XA1B	LSW21LX	100V - 120V AC	1x10W	6500K	-30°C ~ +45°C	1100lm	Zinc Coated Steel
IGLALSW22LS6XA1	LSW22LSX	100V - 120V AC	2x10W	6500K	-30°C ~ +45°C	2200lm	SUS316 Stainless Steel
IGLALSW22LS6XA1E	LSW22LSX	100V - 120V AC	2x10W	6500K	-30°C ~ +45°C	2200lm	SUS316 Stainless Steel
IGLALSW22LS6XA1B	LSW22LSX	100V - 120V AC	2x10W	6500K	-30°C ~ +45°C	2200lm	SUS316 Stainless Steel
IGLALSW22L6XA1	LSW22LX	100V - 120V AC	2x10W	6500K	-30°C ~ +45°C	2200lm	Zinc Coated Steel
IGLALSW22L6XA1E	LSW22LX	100V - 120V AC	2x10W	6500K	-30°C ~ +45°C	2200lm	Zinc Coated Steel
IGLALSW22L6XA1B	LSW22LX	100V - 120V AC	2x10W	6500K	-30°C ~ +45°C	2200lm	Zinc Coated Steel

Also available in other CCT.

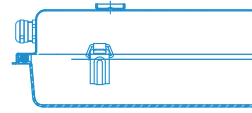
*Ambient Temperature not applicable for Battery Backup System and Emergency Lighting.

BH Code	Type	Main Voltage	Power	CCT	Ambient Temp (Ta)	System Lumen	Housing
IGLALSW41LS6XA1	LSW41LSX	100V - 120V AC	1x20W	6500K	-30°C ~ +45°C	2200lm	SUS316 Stainless Steel
IGLALSW41LS6XA1E	LSW41LSX	100V - 120V AC	1x20W	6500K	-30°C ~ +45°C	2200lm	SUS316 Stainless Steel
IGLALSW41LS6XA1B	LSW41LSX	100V - 120V AC	1x20W	6500K	-30°C ~ +45°C	2200lm	SUS316 Stainless Steel
IGLALSW41L6XA1	LSW41LX	100V - 120V AC	1x20W	6500K	-30°C ~ +45°C	2200lm	Zinc Coated Steel
IGLALSW41L6XA1E	LSW41LX	100V - 120V AC	1x20W	6500K	-30°C ~ +45°C	2200lm	Zinc Coated Steel
IGLALSW41L6XA1B	LSW41LX	100V - 120V AC	1x20W	6500K	-30°C ~ +45°C	2200lm	Zinc Coated Steel
IGLALSW42LS6XA1	LSW42LSX	100V - 120V AC	2x20W	6500K	-30°C ~ +45°C	4400lm	SUS316 Stainless Steel
IGLALSW42LS6XA1E	LSW42LSX	100V - 120V AC	2x20W	6500K	-30°C ~ +45°C	4400lm	SUS316 Stainless Steel
IGLALSW42LS6XA1B	LSW42LSX	100V - 120V AC	2x20W	6500K	-30°C ~ +45°C	4400lm	SUS316 Stainless Steel
IGLALSW42L6XA1	LSW42LX	100V - 120V AC	2x20W	6500K	-30°C ~ +45°C	4400lm	Zinc Coated Steel
IGLALSW42L6XA1E	LSW42LX	100V - 120V AC	2x20W	6500K	-30°C ~ +45°C	4400lm	Zinc Coated Steel
IGLALSW42L6XA1B	LSW42LX	100V - 120V AC	2x20W	6500K	-30°C ~ +45°C	4400lm	Zinc Coated Steel

Also available in other CCT.

*Ambient Temperature not applicable for Battery Backup System and Emergency Lighting.

LED WATERTIGHT LUMINAIRE



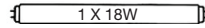
LSW SERIES (LITE)

- B Denotes : With 3Hr battery backup
- E Denotes : With DC24V emergency LED

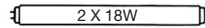
TECHNICAL SPECIFICATIONS



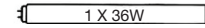
Ideal Replacement:



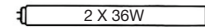
LSW21LX for 1X18W



LSW22LX for 2X18W



LSW41LX for 1X36W



LSW42LX for 2X36W

BH Code	Type	Main Voltage	Power	CCT	Ambient Temp (Ta)	System Lumen	Housing
IGLALSW21LS6XA2	LSW21LSX	220V - 240V AC	1x10W	6500K	-30°C ~ +45°C	1100lm	SUS316 Stainless Steel
IGLALSW21LS6XA2E	LSW21LSX	220V - 240V AC	1x10W	6500K	-30°C ~ +45°C	1100lm	SUS316 Stainless Steel
IGLALSW21LS6XA2B	LSW21LSX	220V - 240V AC	1x10W	6500K	-30°C ~ +45°C	1100lm	SUS316 Stainless Steel
IGLALSW21L6XA2	LSW21LX	220V - 240V AC	1x10W	6500K	-30°C ~ +45°C	1100lm	Zinc Coated Steel
IGLALSW21L6XA2E	LSW21LX	220V - 240V AC	1x10W	6500K	-30°C ~ +45°C	1100lm	Zinc Coated Steel
IGLALSW21L6XA2B	LSW21LX	220V - 240V AC	1x10W	6500K	-30°C ~ +45°C	1100lm	Zinc Coated Steel
IGLALSW22LS6XA2	LSW22LSX	220V - 240V AC	2x10W	6500K	-30°C ~ +45°C	2200lm	SUS316 Stainless Steel
IGLALSW22LS6XA2E	LSW22LSX	220V - 240V AC	2x10W	6500K	-30°C ~ +45°C	2200lm	SUS316 Stainless Steel
IGLALSW22LS6XA2B	LSW22LSX	220V - 240V AC	2x10W	6500K	-30°C ~ +45°C	2200lm	SUS316 Stainless Steel
IGLALSW22L6XA2	LSW22LX	220V - 240V AC	2x10W	6500K	-30°C ~ +45°C	2200lm	Zinc Coated Steel
IGLALSW22L6XA2E	LSW22LX	220V - 240V AC	2x10W	6500K	-30°C ~ +45°C	2200lm	Zinc Coated Steel
IGLALSW22L6XA2B	LSW22LX	220V - 240V AC	2x10W	6500K	-30°C ~ +45°C	2200lm	Zinc Coated Steel

Also available in other CCT.

*Ambient Temperature not applicable for Battery Backup System and Emergency Lighting.

BH Code	Type	Main Voltage	Power	CCT	Ambient Temp (Ta)	System Lumen	Housing
IGLALSW41LS6XA2	LSW41LSX	220V - 240V AC	1x20W	6500K	-30°C ~ +45°C	2200lm	SUS316 Stainless Steel
IGLALSW41LS6XA2E	LSW41LSX	220V - 240V AC	1x20W	6500K	-30°C ~ +45°C	2200lm	SUS316 Stainless Steel
IGLALSW41LS6XA2B	LSW41LSX	220V - 240V AC	1x20W	6500K	-30°C ~ +45°C	2200lm	SUS316 Stainless Steel
IGLALSW41L6XA2	LSW41LX	220V - 240V AC	1x20W	6500K	-30°C ~ +45°C	2200lm	Zinc Coated Steel
IGLALSW41L6XA2E	LSW41LX	220V - 240V AC	1x20W	6500K	-30°C ~ +45°C	2200lm	Zinc Coated Steel
IGLALSW41L6XA2B	LSW41LX	220V - 240V AC	1x20W	6500K	-30°C ~ +45°C	2200lm	Zinc Coated Steel
IGLALSW42LS6XA2	LSW42LSX	220V - 240V AC	2x20W	6500K	-30°C ~ +45°C	4400lm	SUS316 Stainless Steel
IGLALSW42LS6XA2E	LSW42LSX	220V - 240V AC	2x20W	6500K	-30°C ~ +45°C	4400lm	SUS316 Stainless Steel
IGLALSW42LS6XA2B	LSW42LSX	220V - 240V AC	2x20W	6500K	-30°C ~ +45°C	4400lm	SUS316 Stainless Steel
IGLALSW42L6XA2	LSW42LX	220V - 240V AC	2x20W	6500K	-30°C ~ +45°C	4400lm	Zinc Coated Steel
IGLALSW42L6XA2E	LSW42LX	220V - 240V AC	2x20W	6500K	-30°C ~ +45°C	4400lm	Zinc Coated Steel
IGLALSW42L6XA2B	LSW42LX	220V - 240V AC	2x20W	6500K	-30°C ~ +45°C	4400lm	Zinc Coated Steel

Also available in other CCT.

*Ambient Temperature not applicable for Battery Backup System and Emergency Lighting.