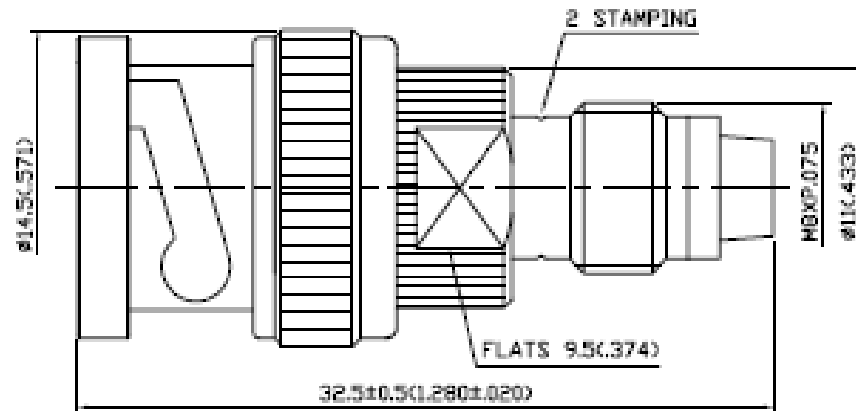


NO	DESCRIPTION	DATE
⚠	REDUCE SPRING FROM 2 PCS TO 1 PC	06.06.97*
⚠	BACKGROUND FORMAT UPDATED	05.02.02*
⚠	RUBBER → SILICONE BACKGROUND FORMAT UPDATED	07.21.09*



1.0 ELECTRICAL

- 1.1 FREQUENCY RANGE: DC-900 MHz
1.2 NOMINAL IMPEDANCE: 50 OHM

2.0 MATERIALS

- 2.1 BODIES: BRASS PER JIS-C3604
2.2 CENTER CONTACT: BRASS PER JIS-C3604
2.3 INSULATION: TEFLON PER ASTM D1487 AND ASTM D1710

3.0 FINISHES AND OTHERS

- 3.1 SEE BELOW TABLE FOR DETAILS.

4.0 ENVIRONMENTAL

- 4.1 OPERATING TEMPERATURE RANGE: -55° C TO +125° C

9	INSULATION II	TEFLON	1	NONE
8	CENTER CONTACT	BRASS	1	GOLD
7	BODY	BRASS	1	NICKEL 100μ"MIN.
6	WASHER	BRASS	1	NICKEL
5	SPRING WASHER	SK-5	1	NICKEL
4	WASHER	BRASS	1	NICKEL
3	GASKET	SILICONE	1	RED
2	INSULATION I	TEFLON	1	NONE
1	SHELL	BRASS	1	NICKEL 100μ"MIN.
NO	DESCRIPTION	MATERIAL	Q'TY	FINISH

APPROVED

by _____ DATE: _____



DESCRIPTION		FME JACK - BNC PLUG		DATE		REV.	
製圖	Yoko	TOLERANCE	X ±0.2	品名	23-16 T.G.N	日期	07.10.92*
檢圖	Jacky	XX ±0.1	UNIT	TITLE	ROHS COMPLIANT (5003)	版次	A-3
認定	Lewis	XXX ±0.05	單位	DWG.NO.	23-0048		
		ANGLE ±5°	SCALE				
			比例				