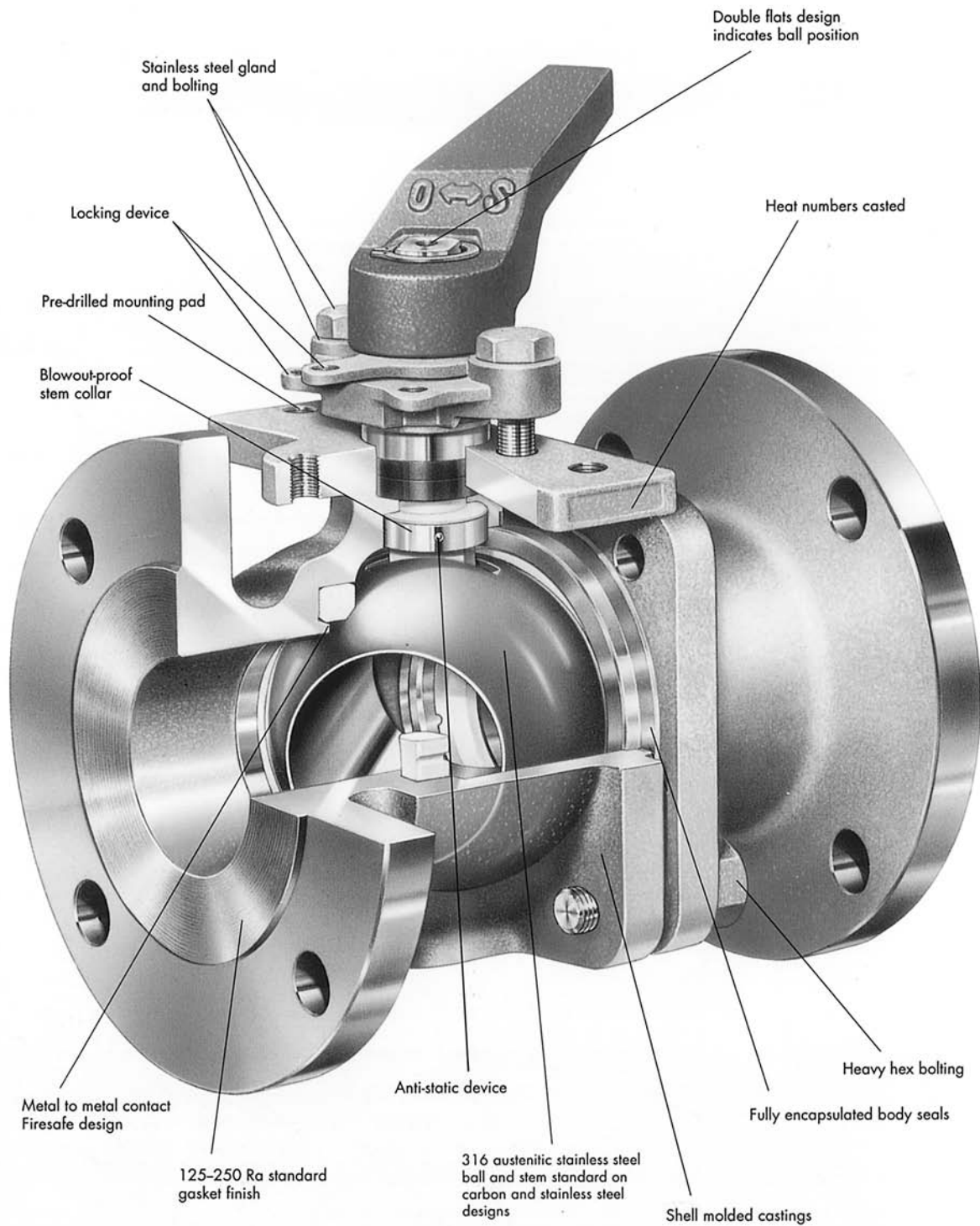
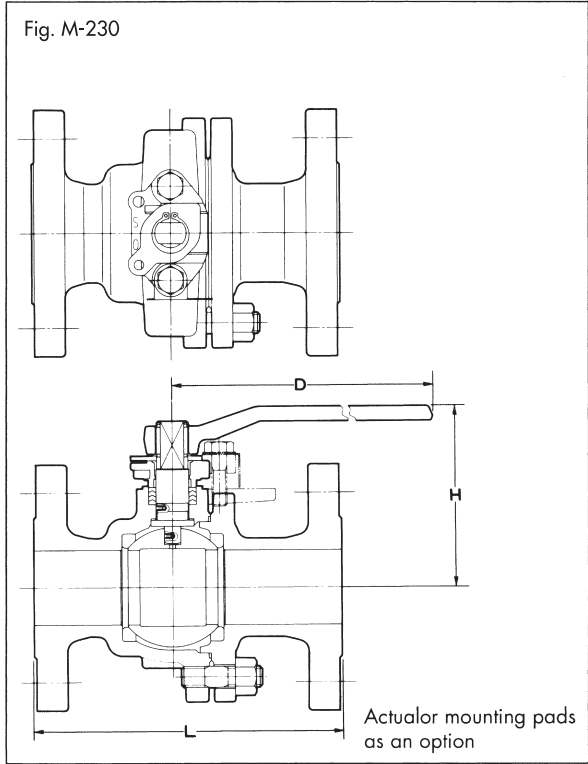
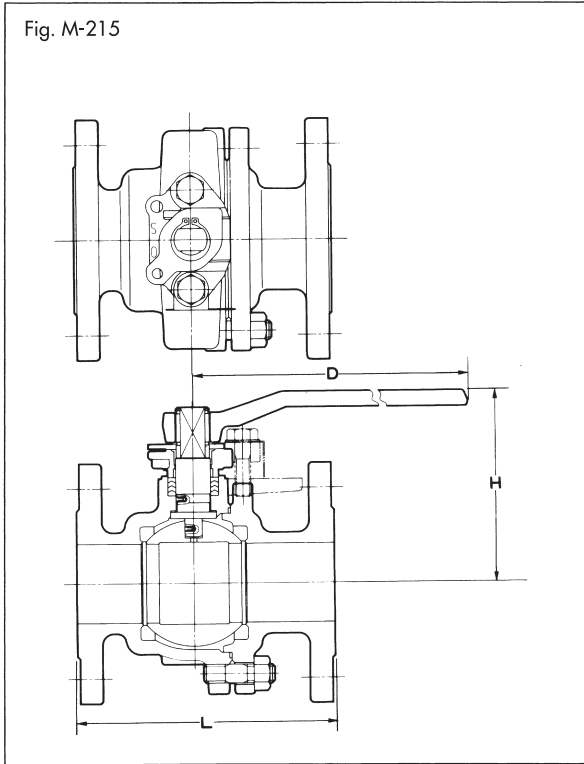


CONCORD Floating Ball Valve

Series M-215 / M230 Full Bore





Dimensions of M-215 (150#)

Valve size	in	1/2	3/4	1	1-1/2	2	3	4	6	8	10	12
	mm	13	19	25	40	50	76	101	152	203	254	305
Bore	in	0.59	0.79	0.98	1.57	1.97	3.15	3.94	5.91	7.87	9.84	12
	mm	15	20	25	40	50	80	100	150	200	250	305
L	in	4.25	4.625	5	6.5	7	8	9	15.5	18	21	24
	mm	108	117	127	165	178	203	229	394	457	533	607
H	in	3.23	3.35	3.70	4.53	4.72	6.50	7.87	11.61	13.98	-	GEAR
	mm	82	85	94	115	120	165	200	295	355	-	-
D	in	5.12	5.12	6.30	9.06	9.06	15.75	18.11	39.37	59.06	-	-
	mm	130	130	160	230	230	400	460	1000	1500	-	-

Dimensions of M-230 (300#)

Valve size	in	1/2	3/4	1	1-1/2	2	3	4	6	8	-
	mm	13	19	25	40	50	76	101	152	203	-
Bore	in	0.59	0.79	0.98	1.57	1.97	3.15	3.94	5.91	7.87	-
	mm	15	20	25	40	50	80	100	150	200	-
L	in	5.5	6	6.5	7.5	8.5	11.125	12	15.875	19.75	-
	mm	140	152	165	190	216	283	305	403	502	-
H	in	3.23	3.35	3.70	4.53	4.72	6.50	9.45	11.61	13.98	-
	mm	82	85	94	115	120	165	240	295	355	-
D	in	5.12	5.12	6.30	9.06	9.06	15.75	29.53	39.37	59.06	-
	mm	130	130	160	230	230	400	750	1000	1500	-

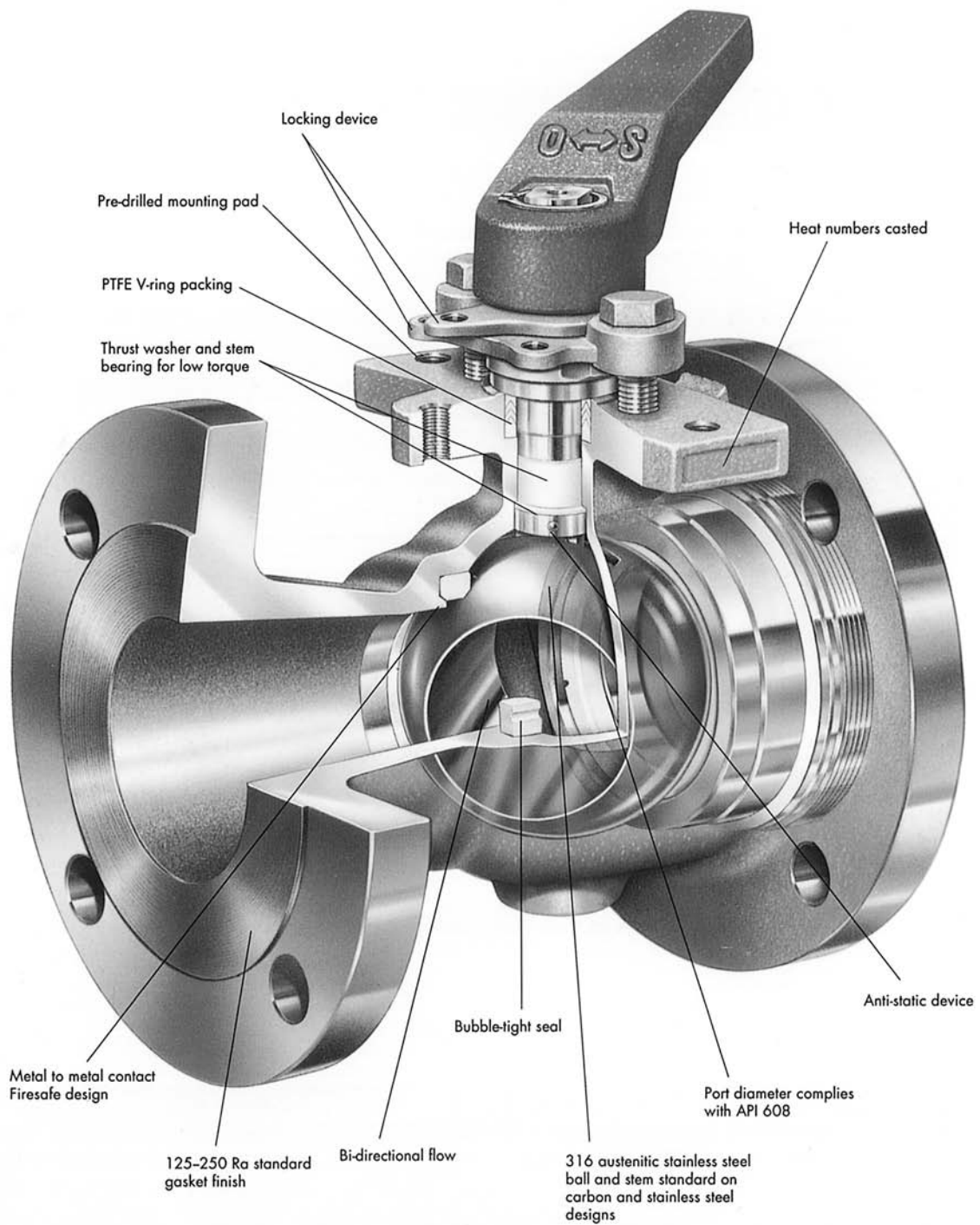
Dimensions of M-260 (600#)

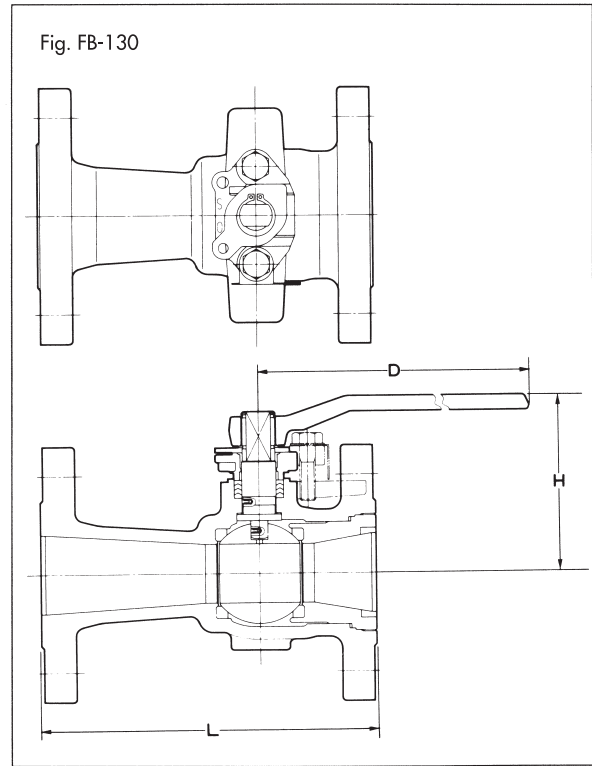
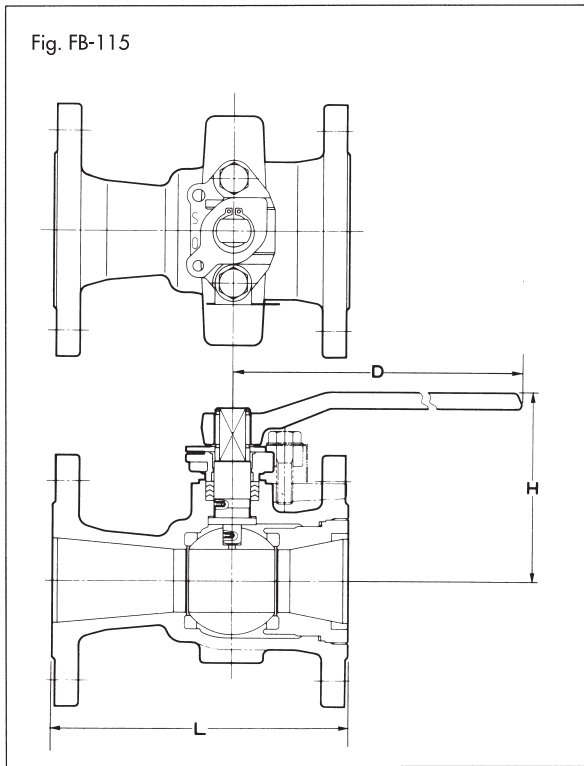
Valve size	in	1/2	3/4	1	1-1/2	2	3	4
	mm	13	19	25	40	50	76	101
Bore	in	0.51	0.75	0.98	1.50	2.00	3.00	3.00
	mm	13	19	25	38	50	76.2	76.2
L	in	6.5	7.5	8.5	9.5	11.5	14.0	17.0
	mm	165	190	216	240	292	360	432
H	in	3.35	3.46	3.94	4.72	6.46	7.17	9.3
	mm	85	88	100	120	164	182	236
D	in	5.2	6.4	9.0	9.0	15.9	17.5	17.5
	mm	132	163	229	229	404	445	445

No.	Parts	CF8M	WCB
1	Body	A351 Gr. CF8M	A216 Gr. WCB
2	Body cap	A351 Gr. CF8M	A216 Gr. WCB
3	Stem	A276 Type 316	A276 Type 316
4	Ball	A276 Type 316 or A351 Gr. CF8M	A276 Type 316 or A351 Gr. CF8M
5	Ball seat	PTFE (15% GF)	PTFE (15% GF)
6-1	Gland packing	Virgin PTFE	Virgin PTFE
6-2	Stem bearing	Reinforced PTFE	Reinforced PTFE
6-3	Thrust washer	Reinforced PTFE	Reinforced PTFE
7	Gland	A351 Gr. CF8	A351 Gr. CF8
8	Gasket	PTFE	PTFE
9	Handle	Ductile iron	Ductile iron
10	Cap bolt	A 193 Gr. B8	A 193 B7
11	Cap nut	A194 Gr. 8F	A 194 2H
12	Gland bolt	A193 Gr. B8	Carbon steel
13	Snap ring	Carbon steel	Carbon steel
14	Stopper	A276 Type 304	A276 Type 304

CONCORD Floating Ball Valve

FB-115 / FB-130 Standard Bore





Dimensions of FB-150 (150#)

Valve size	in	3/4	1	1-1/2	2	3	4	6	8	10
	mm	20	25	40	50	80	100	150	200	250
Bore	in	0.49	0.67	1.18	1.50	2.28	2.99	4.49	5.67	7.36
	mm	12.5	17	30	38	58	76	144	144	187
L	in	4.625	5	6.5	7	8	9	10.5	11.5	13
	mm	117	127	165	178	203	229	267	292	330
H	in	3.66	4.09	3.82	4.53	5.94	6.46	10.00	11.38	13.23
	mm	93	104	97	115	151	164	254	289	336
D	in	3.94	4.53	6.30	9.06	15.75	15.75	18.11	39.37	59.06
	mm	100	115	160	230	400	400	460	1000	1500

Dimensions of FB-130 (300#)

Valve size	in	3/4	1	1-1/2	2	3	4	6	8	10
	mm	20	25	40	50	80	100	150	200	250
Bore	in	0.49	0.67	1.18	1.50	2.28	2.99	4.49	5.67	7.36
	mm	12.5	17	30	38	58	76	114	144	187
L	in	6	6.5	7.5	8.5	11.125	12	15.875	16.5	18
	mm	152	165	190	216	283	305	403	419	457
H	in	3.66	4.09	3.82	4.53	5.94	6.46	10.00	11.38	13.23
	mm	93	104	97	115	151	164	254	289	336
D	in	3.94	4.53	6.30	9.06	15.75	15.75	29.53	39.37	59.06
	mm	100	115	160	230	400	400	750	1000	1500

Dimension of FB-160 (600#)

Valve size	in	3/4	1	1-1/2	2	3	4
	mm	20	25	40	50	80	100
Bore	in	0.49	0.67	1.18	1.5	2.28	2.99
	mm	12.5	17	30	38	58	76
L	in	7.5	8.5	9.5	11.5	14.0	17.0
	mm	191	216	241	292	356	432
H	in	3.66	4.09	3.82	4.53	5.94	6.46
	mm	93	104	97	115	151	164
D	in	6.4	9.0	9.0	15.9	17.5	17.5
	mm	163	229	229	404	445	445

No.	Parts	CF8M	WCB
1	Body	A351 Gr CF8M	A216 Gr WCB
2	Insert	A276 Type 316 or A351 Gr. CF8M	A105 or A216 Gr. WCB
3	Stem	A276 Type 316	A276 Type 316
4	Ball	A276 Type 316 or A351 Gr. CF8M	A276 Type 316 or A351 Gr. CF8M
5	Ball seat	PTFE (15% GF)	PTFE (15% GF)
6-1	Gland packing	Virgin PTFE	Virgin PTFE
6-2	Stem bearing	Reinforced PTFE	Reinforced PTFE
6-3	Thrust washer	Reinforced PTFE	Reinforced PTFE
7	Gland	A276 Type 316 or A351 Gr. CF8	A276 Type 316 or A351 Gr. CF8
8	Primary gasket	PTFE	PTFE
9	Handle	Ductile iron	Ductile iron
12	Gland bolt	A 193 Gr. B8	A 193 Gr. B8
13	Snap ring	A276 Type 301	A276 Type 301
14	Stopper	A276 Type 304	A276 Type 304

CONCORD

Standard Features

The **CONCORD** SPLIT-BODY ball valves are designed, constructed and tested according to the most required international norms, such as ANSI, API, BS, DIN, etc., and characterized by perfect structure in safety and lower torque.

1 & 2. Body(1) & Cap(2) is done through our in-house casting systems and made out of Carbon Steel and Austenitic Stainless Steel in the main.

These materials comply with NACE-MR-01-75 norm. Special materials can be supplied upon request, for minimum quantities.

3. Precision-machined Ball
Outstanding roughness proves superior quality in low torque and no leakage in metal to metal operation.

4. Parallel flat Stem
Anti-Static Device *Option

5. Gland

6. Stopper with Locking Device

7. Cavity relieving Seat
The seat is carefully designed in such a way that no overpressure can be built up in the cavity under temperature alternations.

- Metallic Seat (Figure 1)

8 & 9. Combination Thrust Bearing(8) & Gland Packing(9)
- Blow-out Proof Stem is provided and lower stem end is effective for back seating.

Graphite gland packing further assures prevention of leakage when exposed to a fire condition.(Figure 2)

10 & 11. Stem Bearing(10) & Bush Bearing(11)

12. Gasket Packing

13. Stainless Steel Snap Ring

14. Gland Bolt

15. Split Body Construction with positive alignment and bolted design

16. Lever

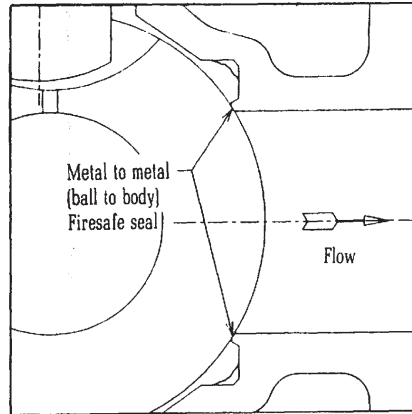


FIGURE 1

In the event of a fire the valve is required to make a downstream seal. Even after the disintegration of the PTFE seats, **CONCORD** ball valves have a good metal to metal seal.

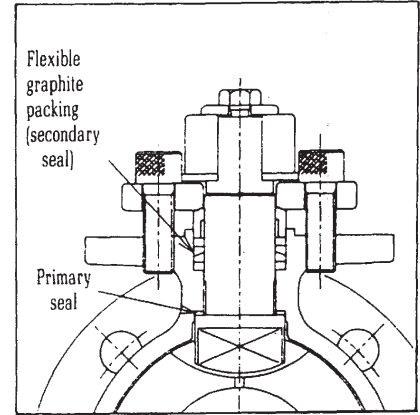


FIGURE 2

The combination of Thrust bearing and Stem packing guarantees perfect sealing even in low pressure. Secondary seal, particularly, has been made out of flexible graphite, a material with extremely good resistance to fire conditions. The anti-blow out stem is inserted from inside the valve body.

Pressure Test

CLASS	TEST PRESSURE		psi (bar)
	SHELL (HYDRAULIC)	SEAT (AIR)	
150	425 (30)	80 psi (6) acc. to ANSI B16.34 6.9 bar acc. to BS 5146	
300	1,100 (76)		
600	2,175 (150)		

• BAR and KG/cm² are almost same.

VALVE SIZE (NPS)	TEST DURATION		sec
	BODY	SEAT	
2" and smaller	15	15	
2 1/2" thru 6"	60	60	
8" thru 12"	120	120	
14" and larger	300	120	

CONCORD

Pressure/Temperature

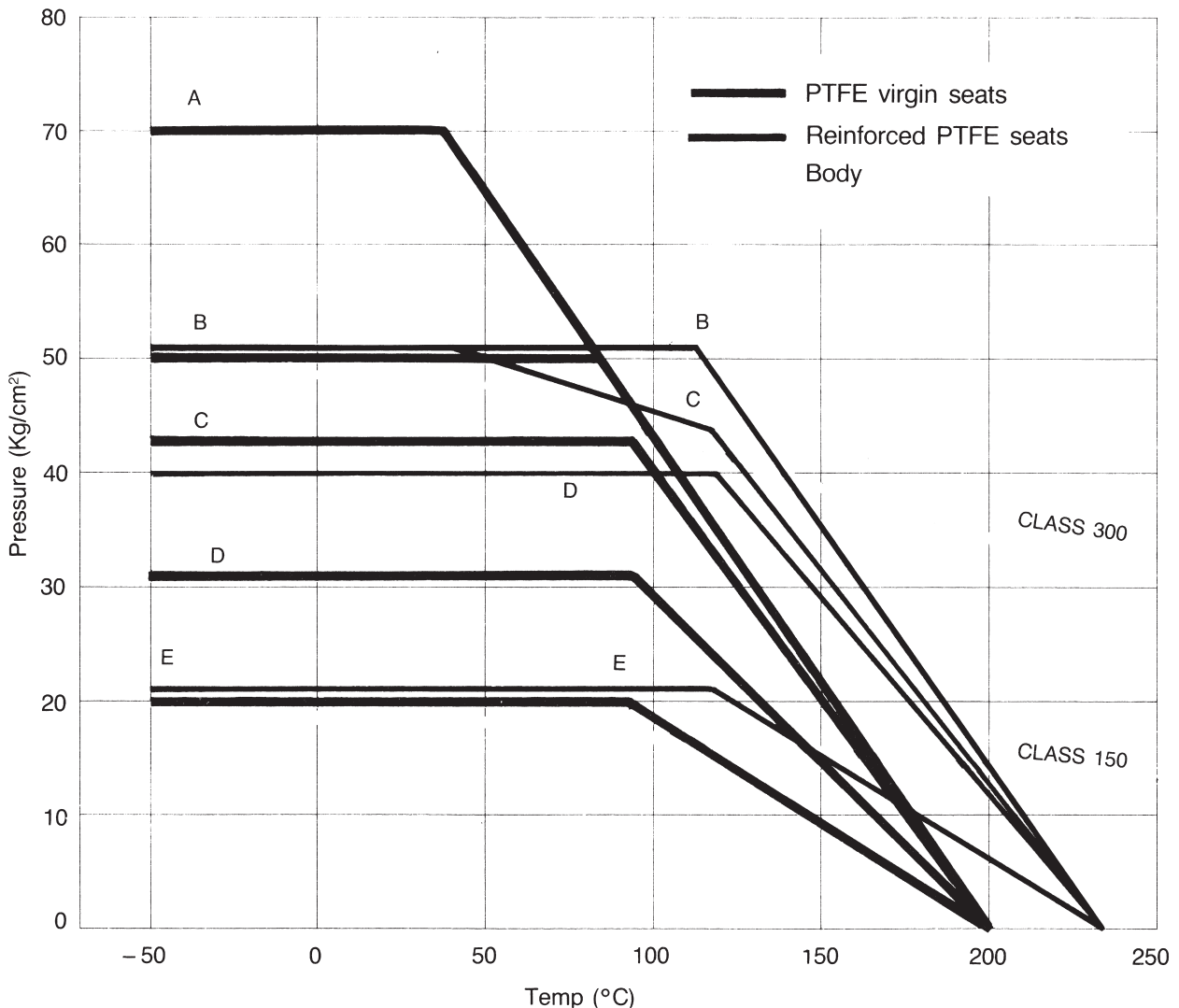
As valve with different body-ratings have the same seats it may happen that seat-rating is higher than body rating. In that case valves will be guaranteed for the lower rating. We are able to supply PTFE filled and specially shaped seats to comply with a wide variety of special applications.

With PTFE seats filled with 15% glass or with 15% carbon-graphite, under a pressure not surpassing the limit, the temperature can be increased with 30°C, Max. allowable temperature: 230°C and the operating torques have an increment of 1.5 times than the normal torque with PTFE virgin seats.

Customers with applications at critical or near critical limits are requested to consult us for an appreciation. The nature of the seat-material makes an exact rating technically impossible. We can often assure better performance. When consulting us please submit following data.

	NOMINAL SIZE	
	Full bore	Reduced bore
A	DN 15 to 20	DN 15 to 25
B	DN 25 to 65	DN 40 to 80
C	DN 80 to 100	DN 100 to 150
D	DN 125 to 150	DN 200 to 300
E	DN 200 to 400	

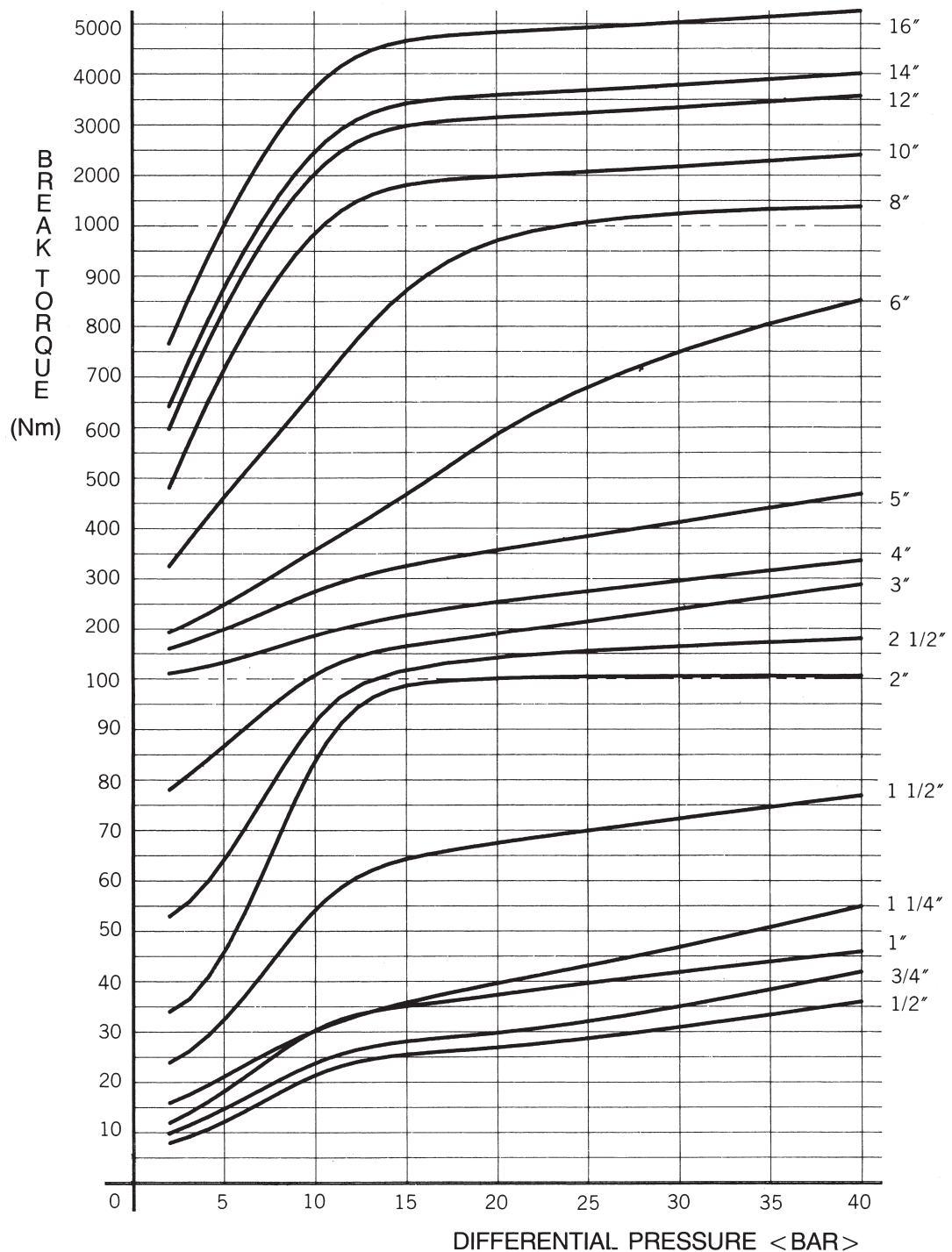
- Valve position normal: open/closed/throttling.
- Number of operations/time.
- Horizontally or vertically mounted.
- Pressure P temp.
- Product.
- Velocity.
- Valve in insulated line: yes/no.



CONCORD

Torque Data for Ball Valves

The following torque data for **CONCORD** ball valves provide an average break torque with the differential pressure (kg/ cm²) shown and the lubricating medium. Depending upon actual service conditions the torque valve of the chart may be increased by 30% or reduced by 20%.



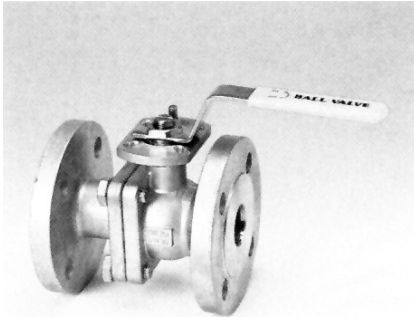
- To select the actuators following conditions should be considered.
1. Add 25% safety factors to the required torque.
 2. Take 2-3 times the torque if the service fluid is not lubricant.

CONCORD

2-PC Flanged Ball Valve

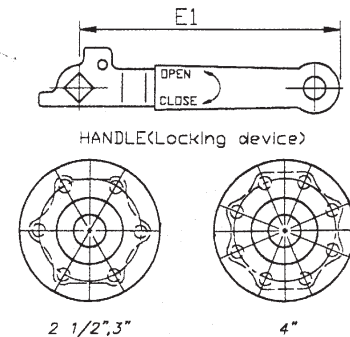
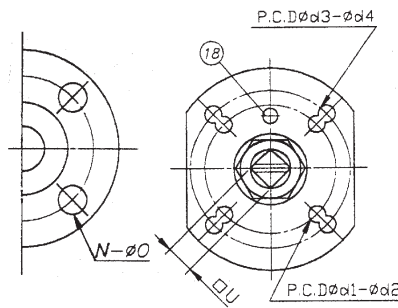
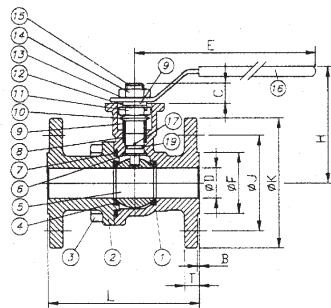
PN 10/16 F1/F4 (M-216) PN 25/40 F1/F4 (M-225)

Fig. No. M-216/M-225 Full Bore 1/2"-4"



- ISO 5211 actuator Mounting pad integral to Valve Body.
- 1/2"-4": Made by Investment casting
- Blow-out proof stem design
- Test pressure:
Seat (air): 6 Bar
Shell (Hydrostatic): PN10/16: 24 Bar
PN25/40: 64 Bar

- Specifications:
- Split body 2 piece type to allow inspection and maintain on all internal parts
 - Face to Face dimension: DIN 3202 F1/F4
 - Flange dimension: DIN 2632/33 PN10/16. DIN2634/35 PN25/40
 - Steam rating:
150 PSI Saturated steam (non-shock)
- Optional:
- Anti-static device
 - Fire-Safe design
 - Locking device



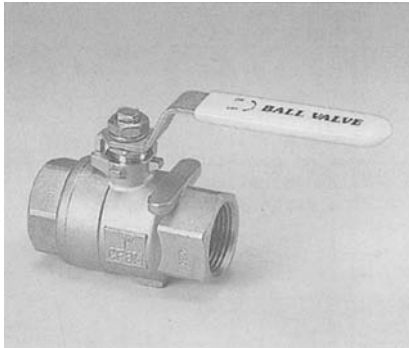
SIZE	T		L		φF		φJ		φK		N		φD	B	C	□U	φd1	φd2	φ d3	φd4	ISO 5211	φO				
	PN 10/16	PN 25/40	F4	F1	PN 10/16	PN 25/40	PN 10/16	PN 25/40	PN 10/16	PN 25/40	PN 10/16	PN 25/40										PN 10/16	PN 25/40	H	E	E1
DN15	14	16	115	130	45	45	65	65	95	95	4	4	15	2	9.3	9	36.0	5.5	42	5.5	F03/F04	14	14	82	114	114
DN20	16	18	120	150	58	58	75	75	105	105	4	4	20	2	9.6	9	36.0	5.5	42	5.5	F03/F04	14	14	87	114	114
DN25	16	18	125	160	68	68	85	85	115	115	4	4	25	2	12.5	11	42.0	5.5	50	6.5	F04/F05	14	14	91	133	133
DN32	16	18	130	180	78	78	100	100	140	140	4	4	32	2	12.6	11	42.0	5.5	50	6.5	F04/F05	18	18	98	187	187
DN40	16	18	140	200	88	88	110	110	150	150	4	4	40	3	13.1	14	50.0	6.5	70	8.5	F05/F07	18	18	118	187	222
DN50	18	20	150	230	102	102	125	125	165	165	4	4	50	3	14.8	14	50.0	6.5	70	8.5	F05/F07	18	18	124	187	222
DN65	18	22	170	290	122	122	145	145	185	185	4	8	65	3	29.8	17	70.0	8.5			F07	18	18	140	410	315
DN80	20	24	180	310	138	138	160	160	200	200	8	8	80	3	29.2	17	70.0	8.5			F07	18	18	150	410	315
DN100	20	24	190	350	158	162	180	190	220	235	8	8	100	3	31.8	19	70.0	8.5	102	10.5	F07/F10	18	22	170	410	315

19	O-Ring	1	VITON	VITON
18	STOPPER	1	SUS304	SUS304
17	ANTI STATIC (optional)	1	SUS304	SUS304
16	COVER	1	PLASTIC	PLASTIC
15	STEM	1	SUS316	SUS304
14	HANDLE NUT	1	SUS304	Carbon Steel
13	HANDLE	1	SUS304	Carbon Steel
12	TAB WASHER	1	SUS304	SUS304
11	GLAND NUT	1	SUS304	SUS304
10	DISC SPRING	2	SUS301	SUS301
9	GLAND	2	SUS304	Carbon Steel
8	GLAND PACKING	4	PTFE	PTFE
7	GASKET	1	PTFE	PTFE
6	THRUST WASHER	1	PTFE	PTFE
5	BALL	1	SUS316 or CF8M	SUS304 or CF8
4	SEAT	2	RPTFE	RPTFE
3	HEX BOLT	4/6/8	SUS304	Carbon Steel
2	END CAP	1	CF8M	WCB
1	BODY	1	CF8M	WCB
NO	PART NAME	Q'TY	SPECIFICATION	

CONCORD

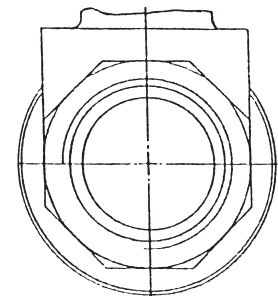
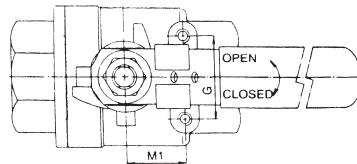
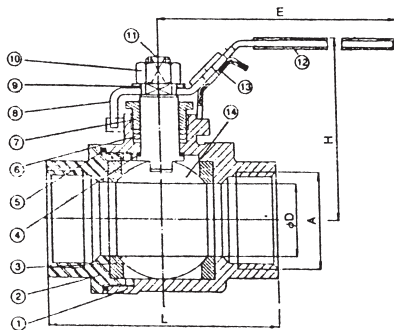
2-PC Ball Valve 1000 WOG Threaded, end

Fig. No. A-201 Full Bore 1/4"-2"



Investment cast Body
 Blow-out proof stem design
 Test pressure:
 Shell (Hydrostatic):
 1/4"-2": 1500 PSI
 Seat (Air): 80 PSI
 Pressure rating:
 1/4"-2": 1000 PSI WOG
 Steam rating:
 150 PSI Saturated Steam (non-shock)

Threaded end:
 NPT-ANSI B 2.1
 BSPP-DIN 259.2999
 BSPT-BS 21
 JISPT-JIS B 0203
 Optional:
 Locking handle
 Mounting Pad Tapped
 mounting actuators

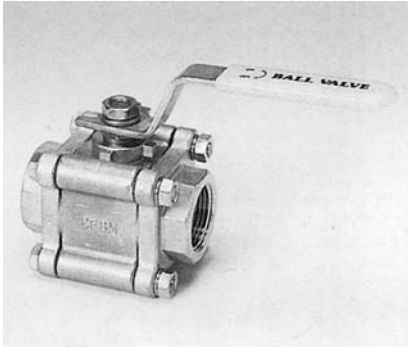


ITEM	PART NAME	CARBON STEEL	STAINLESS STEEL	QTY
1	BODY	ASTM A216 GR. WCB	ASTM A351 Gr. CF8M	1
2	END CAP	ASTM A216 GR. WCB	ASTM A351 Gr. CF8M	1
3	SEAT	PTFE OR RTFE	PTFE OR RTFE	2
4	THRUST WASHER	PTFE	PTFE	1
5	BODY GASKET	PTFE	PTFE	1
6	STEM PACKING	PTFE	PTFE	3
7	PACKING GLAND	SS304	SS304	1
8	HANDLE	CARBON STEEL	SS304	1
9	HANDLE WASHER	CARBON STEEL	SS304	1
10	HANDLE NUT	CARBON STEEL	SS304	1
11	STEM	SS304	SS316	1
12	HANDLE SLEEVE	VINYL Plastic	VINYL Plastic	1
13	LOCKING DEVICE (OPTIONAL)	CARBON STEEL	SS304	1
14	BALL	SS304 or ASTM A351 Gr. CF8	SS316 or A351 Gr. CF8M	1

2"	INCH MM	2" 50.8	4.921" 125	4.055" 103	7.48" 190	2" NPT BSPP BSPT	1.5" 38.1	1" 25.4
1 1/2"	INCH MM	1.496" 38	4.252" 108	3.543" 90	6.102" 155	1 1/2" NPT BSPP BSPT	1.5" 38.1	1" 25.4
1 1/4"	INCH MM	1.260" 32	4.106" 102	3.465" 88	6.102" 155	1 1/4" NPT BSPP BSPT	1.5" 38.1	1" 25.4
1"	INCH MM	0.984" 25	3.583" 91	2.598" 66	5.315" 135	1" NPT BSPP BSPT	1.378" 35	0.882" 22.4
3/4"	INCH MM	0.787" 20	3.031" 77	2.520" 64	5.315" 135	3/4" NPT BSPP BSPT	1.378" 35	0.882" 22.4
1/2"	INCH MM	0.591" 15	2.677" 68	2.402" 61	4.528" 115	1/2" NPT BSPP BSPT	1.122" 28.5	0.5" 12.7
3/8"	INCH MM	0.5" 12.7	2.323" 59	2.323" 59	4.528" 115	3/8" NPT BSPP BSPT	1.122" 28.5	0.5" 12.7
1/4"	INCH MM	0.457" 11.6	2.323" 59	2.323" 59	4.528" 115	1/4" NPT BSPP BSPT	1.122" 28.5	0.5" 12.7
SIZE		φD	L	H	E	A	G	M1

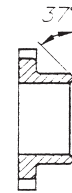
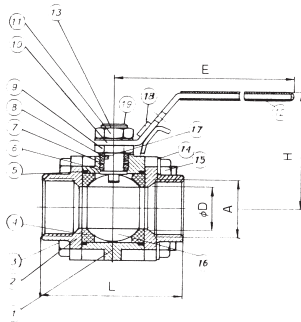
CONCORD 3-PC Ball Valve 2000 WOG Threaded end, Socket-welding & Butt-welding end

Fig. No. A-306 Full Bore 1/4"-2"

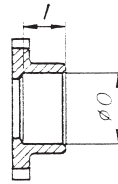


Made by Investment casting
Blow-out proof stem design
Full enclosed bolting center construction
Valve can be swung away in line to install and maintain
Test pressure:
Shell (Hydrostatic):
1/4"-1": 3000 PSI
1 1/4"-2": 2250 PSI
Seat (air): 80 PSI
Pressure rating:
1/4"-1": 2000 PSI WOG
1 1/4"-2": 1500 PSI WOG
Face to Face length: DIN 3202 M3
Steam rating:
150 PSI saturated steam (non-shock)

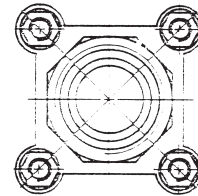
End connections:
Threaded end:
NPT-ANSI B 2.1
BSPP-DIN 259.2999
BSPT-BS 21
JISPT-JIS B 0203
Socket-Welded end: ANSI B 16.11
Butt-Welded end: BS 5351
Optional:
Locking handle
Fire-safe design
Anti-static device



BUTT-WELDED



SOCKET-WELDED



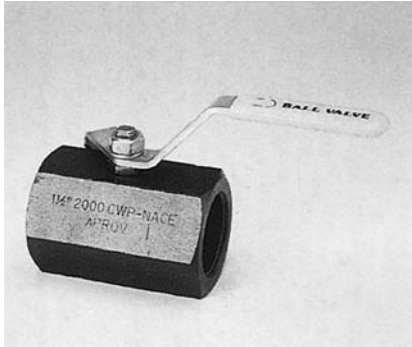
SIZE	φD	L	H	E	φO	A	I
1/4"	11.6	60	65	114	14.22	1/4" NPT BSPP BSPT	11.1
3/8"	12.7	60	65	114	17.52	3/8" NPT BSPP BSPT	11.1
1/2"	15.0	75	68	133	21.71	1/2" NPT BSPP BSPT	12.7
3/4"	20.0	80	70	133	27.05	3/4" NPT BSPP BSPT	14.3
1"	25.4	90	75	133	33.78	1" NPT BSPP BSPT	15.9
1 1/4"	31.8	110	83	187	42.54	1 1/4" NPT BSPP BSPT	17.5
1 1/2"	38.1	120	88	187	48.64	1 1/2" NPT BSPP BSPT	19.1
2"	50.8	140	96	228	61.11	2" NPT BSPP BSPT	22.2

19	HANDLE WASHER	1	SUS304	Carbon Steel (Black Oxide)
18	LOCKING DEVICE	1	SUS304	Carbon Steel (Plated)
17	ANTI STATIC	1	SUS304	SUS304
16	BALL	1	SUS316	SUS316
15	HEX NUT	4	SUS304	Carbon Steel (Black Oxide)
14	WASHER	4	SUS304	Carbon Steel (Black Oxide)
13	STEM	1	SUS316	SUS316
12	COVER	1	PLASTIC	PLASTIC
11	HANDLE NUT	1	SUS304	Carbon Steel (Black Oxide)
10	HANDLE	1	SUS304	Carbon Steel (Plated)
9	GLAND NUT	1	SUS304	SUS304
8	GLAND	1	SUS304	SUS304
7	GLAND PACKING	2	15% Glass Fiber filled Teflon	15% Glass Fiber filled Teflon
6	THRUST WASHER	1	15% Glass Fiber filled Teflon	15% Glass Fiber filled Teflon
5	BODY GASKET	2	15% Glass Fiber filled Teflon	15% Glass Fiber filled Teflon
4	SEAT	2	15% Glass Fiber filled Teflon	15% Glass Fiber filled Teflon
3	BOLT	4	SUS304	Carbon Steel (Black Oxide)
2	END CAP	2	CF8M	WCB
1	BODY	1	CF8M	WCB
NO	PART NAME	Q'TY		SPECIFICATION

CONCORD

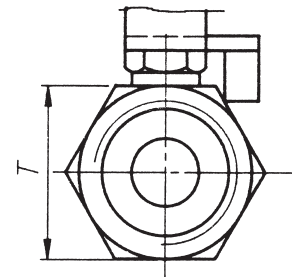
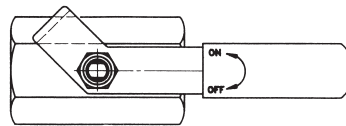
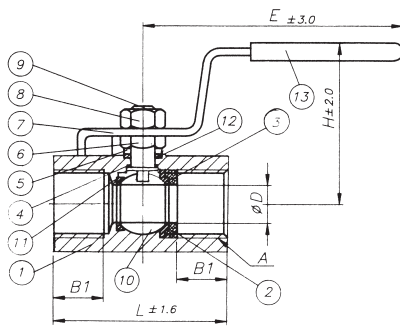
Carbon Steel Bar Stock Ball Valve 2000 WOG Threaded end

Fig. No. A-103 Full Bore 1/2"-2"



Made by Carbon Steel Hex. Bar Stock
 Blow-out proof stem design
 Test pressure:
 Shell (Hydrostatic):
 1/2"-1": 3000 PSI
 1 1/4"-2": 2250 PSI
 Seat (Air): 80 PSI
 Pressure rating:
 1/2"-1": 2000 PSI WOG
 1 1/4"-2": 1500 PSI WOG
 Steam rating:
 150 PSI saturated steam (non-shock)

Threaded end:
 NPT-ANSI B2.1
 BSPP-DIN 259.2999
 BSPT-BS21
 JISPT-JIS B 0203

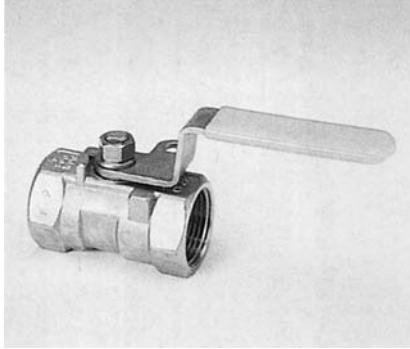


SIZE	D	L	B1	H	E	A	T
1/4"	5.0	50	13.85	32.5	85	1/4" NPT	21.0 ± 1.0
3/8"	7.0	55	13.80	32.5	85	3/8" NPT	25.0 ± 1.0
1/2"	9.5	60	15.15	50.0	114	1/2" NPT	32.0 ± 2.0
3/4"	12.5	68	15.70	54.0	114	3/4" NPT	37.0 ± 2.0
1"	15.0	80	19.50	66.0	125	1" NPT	45.0 ± 2.0
1-1/4"	20.0	96.0	24.60	68.0	155	1-1/4" NPT	57.0 ± 2.0
1-1/2"	25.0	103.0	26.35	71.0	155	1-1/2" NPT	64.0 ± 2.0
2"	32.0	119.0	29.50	80.0	155	2" NPT	76.0 ± 2.0

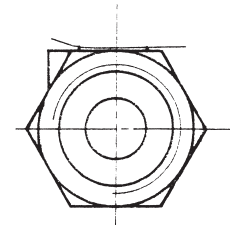
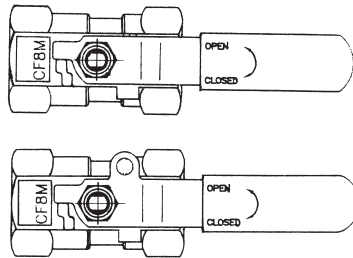
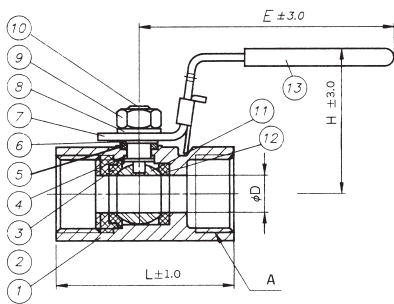
NO	PART NAME	Q'TY	SPECIFICATION
13	COVER	1	PLASTIC
12	GLAND PACKING	1	PTFE
11	SEAT	1	RTFE
10	BALL	1	SUS316
9	STEM	1	SUS316
8	STEM NUT	1	CARBON STEEL
7	HANDLE	1	CARBON STEEL
6	GLAND NUT	1	SUS304
5	GLAND	1	SUS304
4	THRUST WASHER	1	PTFE
3	BIG SEAT	1	RTFE
2	END PLUG	1	CARBON STEEL A1018
1	BODY	1	CARBON STEEL A1018
NO	PART NAME	Q'TY	SPECIFICATION

CONCORD 1-PC Economy Stainless Steel Ball Valve 800 WOG Threaded end

Fig. No. A-101 / Full Bore 1/4"-2"



Made by Investment casting
Blow-out proof stem design
Test pressure:
Shell (Hydrostatic): 1200 PSI
Seat (Air): 80 PSI
Pressure rating: 800 PSI WOG
Steam rating: 150 PSI saturated steam (non-shock)
Threaded end:
NPT-ANSI B2.1
BSPP-DIN 259.2999
BSPT-BS21
JIS PT-JIS B 0203
Optional:
Locking handle



Locking Device (optional)

SIZE	D	L	B	H	E	A	NPT BSPP BSPT
1/4"	4.6	40.0	18.0	28	71		1/4"
3/8"	6.8	45.0	19.8	30	82		3/8"
1/2"	9.0	56.5	26.15	48	87		1/2"
3/4"	12.5	60.0	29.6	51	87		3/4"
1"	15.0	71.0	34.0	54	105		1"
1-1/4"	20.0	78.0	38.0	58	105		1 - 1/4"
1-1/2"	24.5	83.0	42.0	65	127		1 - 1/2"
2"	32.0	100.0	51.15	70	127		2"

13	COVER	1	PLASTIC
12	BIG SEAT	1	PTFE
11	BALL	1	SUS316 OR CF8M
10	STEM	1	SUS316
9	HANDLE NUT	1	SUS304
8	HANDLE WASHER	1	SUS304
7	HANDLE	1	SUS304
6	GLAND	1	SUS304
5	STEM PACKING	1	PTFE
4	THRUST WASHER	1	PTFE
3	SMALL SEAT	1	PTFE
2	END CAP	1	ASTM A351 GR. CF8M
1	BODY	1	ASTM A351 GR. CF8M
NO	PART NAME	Q'TY	SPECIFICATION

CONCORD

3-Way Multi Port Ball Valves

Model: MPF15 - Full Port MPRF15 - Standard Port ANSI Class 150

Extremely versatile value design for diversion or mixing

- Unique body design offers simplicity in replacing valve seats and packing
- SECURE MOUNT design for ease of automation
- Available in Stainless and Carbon Steel

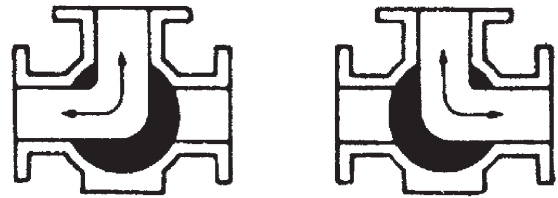
Size:

MPF15 1-1/2" thr 10"

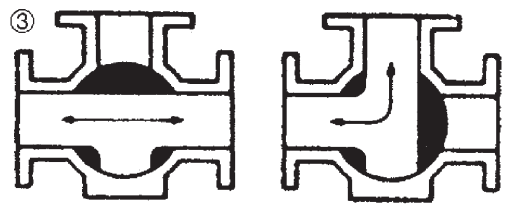
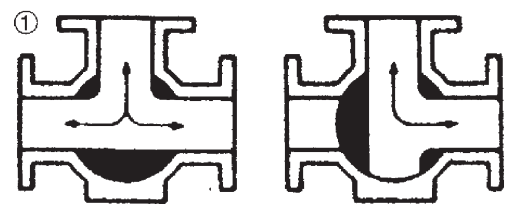
MPRF15 6" thr 12"

Sizes 1-1/2, 2, 3 and 4 in. are available with Thread Ends

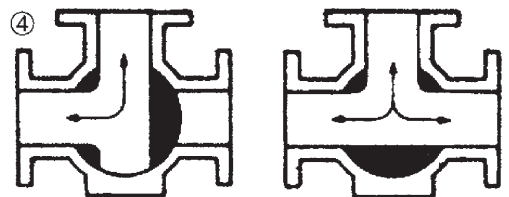
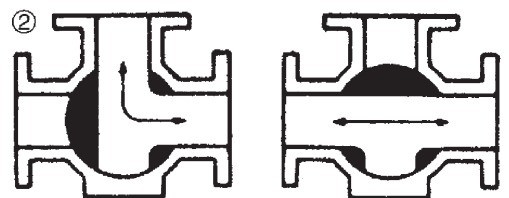
Sizes 2, 3 and 4 in. are available with ANSI Class 300 - Model: MPF30



T-Port:90



T-Port:180



L-Port:180

MULTI PORT BALL VALVES

... SIMPLIFY ALL ASPECTS OF PIPING SYSTEMS

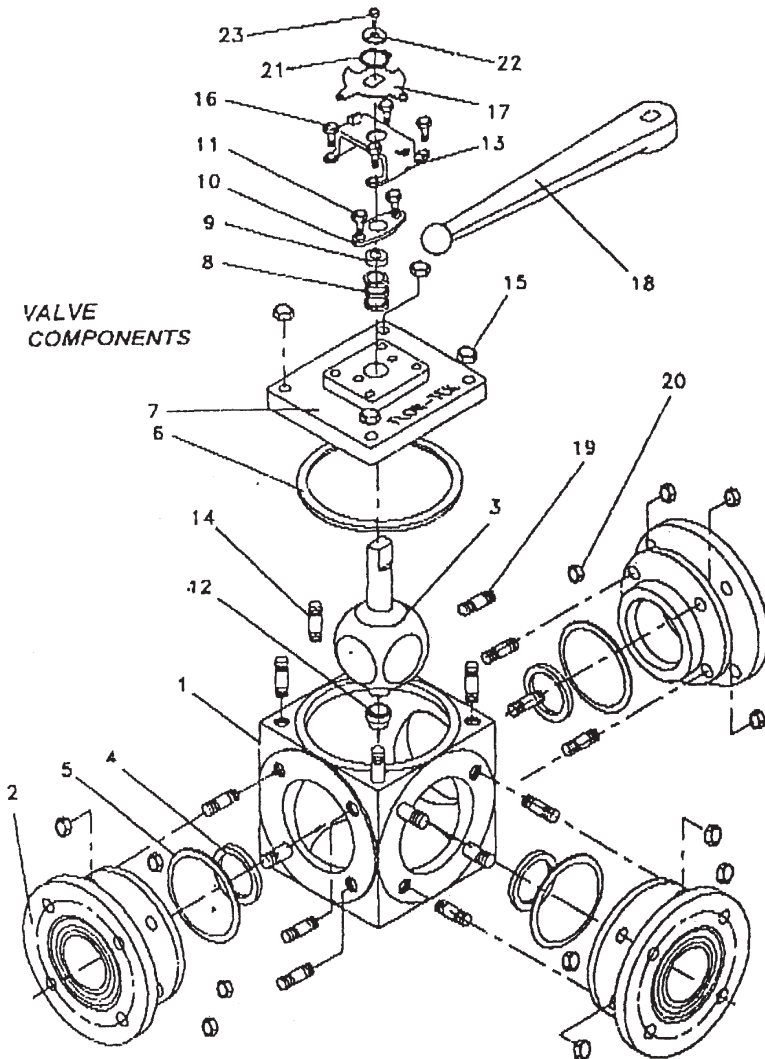
... ARE COST EFFICIENT

- One 3 way valve can replace 2 or more conventional valves

... ELIMINATE DUPLICATION OF EXPENSIVE AUTOMATED UNITS

CONCORD

Design And Technical Data



SPECIFICATION STANDARDS:

Flanges ANSI B16.5
Shell/Wall ANSI B16.34

Federal Specifications
WW-V-35B Valve, Ball, Type 11
Class C, Style 3, End Connection B

TESTING

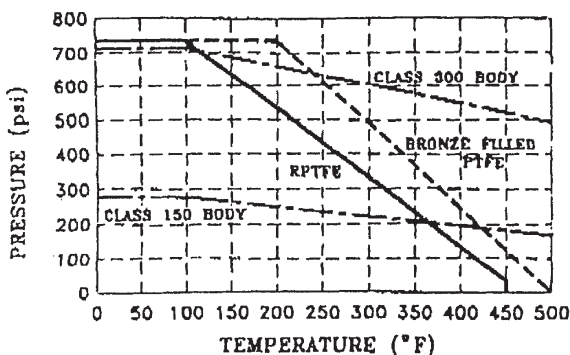
Class 150 Shell 425psi
Seat (Air) 80psi
Class 300 Shell 1100psi
Seat (Air) 80psi

Features:

- Grounded Ball & Stem
- Full Port Ball Orifice
- Four-Bolt Actuator Mounting
- Multiple Piece Stem Packing
- Unique One Piece Ball and Stem Design

NOTE: A variety of alloys as well as special seating materials are available. Consult Factory.

PRESSURE AND TEMPERATURE DATA:



Rating Curve applies to both "L" and "T" port configurations.

All valves conform to ANSI Class 150 pressure ratings. They are rated for a maximum differential pressure of 275 psi, and a maximum temperature of up to 450 °F (500 °F for Bronze Filled Seat). See rating chart. WCB - 285 psi Max. Complies with ANSI B16.5 and B16.34 standards.

BILL OF MATERIALS:

ITEM	NAME	MPF15-316	MPF15-WCB
1	Body	A351 GR CF 8M	A216 GR WCB
2	End Connector	A351 GR CF 8M	A216 GR WCB
3	Ball	A276 TYPE 316	A276 TYPE 316
4	Seat	RPTFE	RPTFE
5	End Gasket	PTFE	PTFE
6	Cover Gasket	PTFE	PTFE
7	Cover	A351 GR CF 8M	A216 GR WCB
8	Stem Packing	PTFE	RPTFE
9	Gland Ring	A167 TYPE 304	Carbon Steel
10	Gland	A167 TYPE 304	Carbon Steel
11	Gland Bolt	B8	B7
12	Thrust Bearing	PTFE	PTFE
13	Stop Housing	A351 GR CF8M	Carbon Steel
14	Cover Stud	B8	B7
15	Cover Nut	A167 TYPE 304	Carbon Steel
16	Housing Bolt	B8	B7
17	Travel Stop	A167 TYPE 304	Carbon Steel
18	Lever	Ductile Iron	Ductile Iron
19	Body Stud	B8	B7
20	Body Nut	A167 TYPE 304	Carbon Steel
21	Snap Ring	SK5 CR PLATE	SK5 CR PLATE
22	Port Sign	A167 TYPE 304	A167 TYPE 304
23	Sign Nut	A167 TYPE 304	A167 TYPE 304

Carbon and Stainless Steel ANSI & JIS
FLOATING BALL VALVES
Standard Bore & Full Bore

