

FEATURES

- Thermocouple type K, J, T, N, E, R, S plus mV, 4-20mA output
- Simple push button configuration
- Advanced user configuration for access to 56 pre-set temperature ranges
- User push button trim
- Programmable burnout
- The TX203TC is supplied with a default range of 0 to 1000°C, Type K

RS PRO Thermocouple In-head (Push Button) Temperature Transmitter

RS Stock No.: 3817132



RS Professionally Approved Products bring to you professional quality parts across all product categories. Our product range has been tested by engineers and provides a comparable quality to the leading brands without paying a premium price.

Product Description

The TX203TC in-head thermocouple temperature transmitter is a cost effective “smart” in head transmitter that accepts thermocouple temperature sensors and converts sensor output over a configured range to a standard industrial (4 to 20) mA transmission signal. A simple push button operation allows the user to select TC type, burnout direction, select fixed ranges and trim 4 and 20 mA points. The TX203TC incorporates the latest digital technology to ensure accurate drift free performance.

Push Button Configuration

User Range	Two levels of configuration are available to the user; the first level allows the user to re-range the transmitter. The user can identify the input type set by counting the number of program LED flashes on power up. The input type cannot be changed at this level of configuration.										
Advanced user configuration	In this level the single push button and two LED indicators are used to navigate the user through a series of five menus allowing full configuration of the transmitter. The menus are as follow: - <table border="0"> <tr> <td>Menu 1</td> <td>Select Input type K, J, T, N, E, R, S thermocouple or mV</td> </tr> <tr> <td>Menu 2</td> <td>Select either user range set by USER RANGE or select one of seven (per input) fixed ranges</td> </tr> <tr> <td>Menu 3</td> <td>Select burnout direction</td> </tr> <tr> <td>Menu 4</td> <td>Trim output current @ either 4mA or 20mA</td> </tr> <tr> <td>Menu 5</td> <td>Reset to factory default and clear user trim</td> </tr> </table>	Menu 1	Select Input type K, J, T, N, E, R, S thermocouple or mV	Menu 2	Select either user range set by USER RANGE or select one of seven (per input) fixed ranges	Menu 3	Select burnout direction	Menu 4	Trim output current @ either 4mA or 20mA	Menu 5	Reset to factory default and clear user trim
Menu 1	Select Input type K, J, T, N, E, R, S thermocouple or mV										
Menu 2	Select either user range set by USER RANGE or select one of seven (per input) fixed ranges										
Menu 3	Select burnout direction										
Menu 4	Trim output current @ either 4mA or 20mA										
Menu 5	Reset to factory default and clear user trim										

Specifications @ 20°C

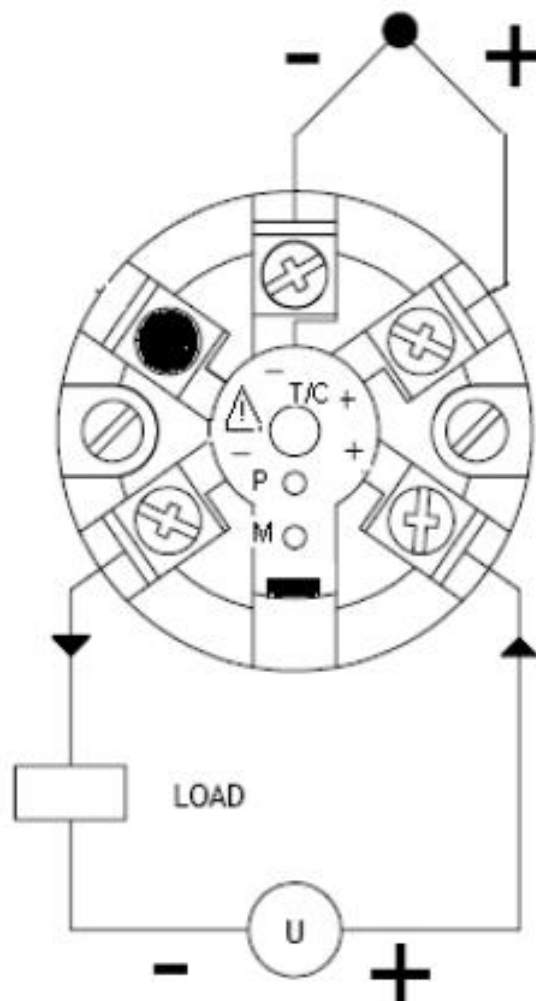
Sensor	Range (°C)	Accuracy
K	-200 to 1370	± 0.1% of F.S. ± 0.5°C (plus any sensor error)
J	-100 to 1200	± 0.1% of F.S. ± 0.5°C (plus any sensor error)
T	-200 to 400	± 0.2% of F.S. ± 0.5°C (plus any sensor error)
N	-180 to 1300	± 0.1% of F.S. ± 0.5°C (plus any sensor error)
E	-200 to 1000	± 0.1% of F.S. ± 0.5°C (plus any sensor error)
R	-10 to 1760	± 0.1% of F.S. ± 0.5°C (plus any sensor error) over range 800 to 1600
S	-10 to 1760	± 0.1% of F.S. ± 0.5°C (plus any sensor error) over range 800 to 1600

Range (mV)

Input	Range (°C)	Accuracy
mV	-10 to 70	± 0.02 % of full scale

General

Isolation	Tested to 250 V dc
Sensor Burnout	Either up or down scale output
Cold Junction	Range (-40 to 85°C); Accuracy ±0.5°C Tracking ± 0.05°C /°C
Stability	Offset 0.1°C /°C, Span 0.05°C /°C



Output

Output type	2 wire (4 to 20) mA current loop
Output range	4.0mA to 20.0mA
Output connection	Screw Terminal
Maximum output	21.5mA (in high burnout condition)
Minimum output	3.8mA (in low burnout condition)
Accuracy	(mA output / 2000) or 5uA (whichever is the greater)
Loop Voltage effect	± 0.2uA / V
Thermal drift	± 1uA / °C Typically ± 1.5uA
Maximum output load	$[(V_{supply}-10)/20]$ K Ohms (Example 700 ohms @ 24V)

Fixed Ranges

Range	Inputs K, J, E & N (°C)	Input T (°C)	Inputs R & S (°C)	Input mV
1	User			
2	0 to 1000	0 to 400	800 to 1760	0 to 70
3	0 to 1200	0 to 250	800 to 1600	0 to 5
4	0 to 600	0 to 200	800 to 1400	0 to 10
5	0 to 500	0 to 150	1000 to 1760	0 to 20
6	0 to 250	0 to 100	1000 to 1600	0 to 25
7	0 to 100	0 to 50	1000 to 1400	0 to 50
8	-100 to 100	-100 to 100	0 to 1600	-10 to 10

General Specifications

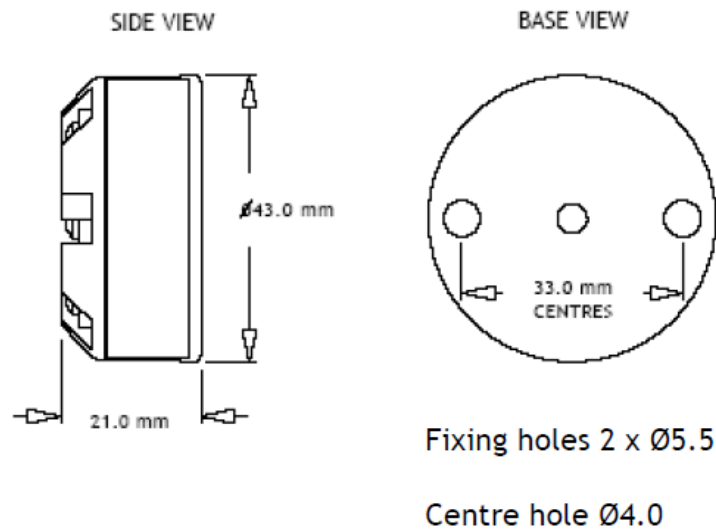
Update time	500mS
Response time	1 second
Start-up time	4 seconds (Output < 4mA during start up)
Warm-up time	1 minute to full accuracy
Power supply	10 to 30 Volts dc

Environmental

Ambient operating range	(-40 to +85) °C
Ambient storage temperature	(-50 to +90) °C
Ambient humidity range	(10 to 90) % RH non condensing

Physical

Dimensions	43mm diameter; 21mm height
Weight	31g (encapsulated)



Approvals

EMC - BS EN 61326	Electrical equipment for measurement control and laboratory use
ANNEX A	Immunity test requirements for equipment intended for use in industrial locations
ANNEX F	Test configurations, operational conditions and performance criteria for transducers with integrated or remote signal conditioning
IEC 61000-4-2	Electrostatic discharge
IEC 61000-4-3	EM Field
IEC 61000-4-4	Transient Burst (output)
IEC 61000-4-5	Surge (output)

(Note - Sensor input wires to be less than 3 metres to comply)

RS Components is a leading provider for Automation and Control Gear, below is a selection of best selling products:

rspro.com

**Temperature.
It matters**

Calibration

Whether it's existing equipment or a new purchase, you need to have confidence in the accuracy of your measurements.

That's where our calibration service can help.

Purchase new products with confidence.

A certificated calibrated sensor straight out of the box, ready to use.

Best Sellers

ANSI SYSCAL Type K Mineral Insulated Thermocouple
RS 181-7296

IEC SYSCAL Type K Mineral Insulated Thermocouple
RS 181-7288

IEC SYSCAL Type J Mineral Insulated Thermocouple
RS 181-7305

RTD Detectors

Wire-wound type provides greater accuracy and stability but are vulnerable to shock.

Flat film type are resistant to shock and have quicker thermal response times.

Various lengths and diameters available, in class A, B and 1/10th Din.

Best Sellers

PT1000 Thin Film Detector
RS 362-9907
Allied 70643582

PT100 Wire Wound Detector
RS 611-7839
Allied 70646151

PT100 Wire Wound Detector
RS 362-9799
Allied 70643577

Exposed Junction Thermocouples

Including exposed junctions with fitted or moulded miniature plug and insulated leads, ideal for test and development applications.

1, 2, 3, 5 & 10m lengths available in IEC or ANSI colours.

Best Sellers

ANSI Type K Exposed Junction
RS 814-0134
Allied 70656459

ANSI Type K High Temp Exposed Junction
RS 131-4749
Allied 71080908

IEC Type K Exposed Junction
RS 363-0250
Allied 70643600

Best Sellers

Magnet Thermocouple
RS 762-1115
Allied 70651739

Heavy Duty Thermocouple
RS 762-1128
Allied 70651743

Rubber Patch Thermocouple
RS 290-5036
Allied 70642886

Thermocouple & PRT Cable

Thermocouple cables are available in IEC or ANSI colour codes. Insulation types include PFA, PTFE, PVC & Fibreglass. Available spool lengths include 10, 25, 50, 100 and 200m.

Best Sellers

IEC PVC Insulated Flat Pair
RS 219-4573
Allied 70641630

ANSI PFA Insulated Twin Twisted
RS 814-0030
Allied 70656106

IEC Glassfibre Insulated Flat Pair
RS 236-3836
Allied 70641730

Best Sellers

IEC Thermocouple Plug
RS 455-9764
Allied 70644391

ANSI Thermocouple Socket
RS 769-1127
Allied 70652125

IEC Thermocouple PCB Socket
RS 381-7570
Allied 70643749

Thermocouple Connectors

Range of miniature or standard thermocouple connectors. Available in thermocouple types K, J, T, E, N, RS, B, and copper. IEC, ANSI & JIS colour codes available.

RS Components is a leading provider for Automation and Control Gear, below is a selection of best selling products:

 <p>Mineral Insulated Thermocouples</p> <p>Available in various calibration types with a variety of terminations. These include; Thermocouple plugs, Terminal heads and Thermocouple cable</p>	<p>Best Sellers </p> <p>IEC Thermocouple with PTFE Cable RS 397-1236 Allied 70643843</p> <p>IEC Thermocouple with Mini Plug RS 397-1488 Allied 70643863</p> <p>ANSI Thermocouple with PFA Cable RS 847-1019 Allied 70658112</p>	 <p>NEW PRODUCTS</p> <p>RS PRO, the own brand of RS Components, offers an unbeatable range of products across all industries with quality you can trust.</p> <p>New products are constantly added to improve the offering of our product range.</p>	<p>NEW PRODUCTS </p> <p>Brake Pad Temp Sensor RS 200-0601 Allied 72173869</p> <p>RTD Temp Sensor Hirschmann Style RS 200-0594 Allied 72173862</p> <p>Washer Thermocouple RS 200-0616 Allied 72173882</p>		
 <p>Sensors with Industrial Terminal Heads</p> <p>Industrial sensors housed in a stainless steel sheath and terminal head protection to IP67. Available as a thermocouple or Pt100.</p>	<p>Best Sellers </p> <p>Type K 300mm Long RS 787-7829 Allied 70653306</p> <p>Type K 200mm Long RS 787-7816 Allied 70653303</p> <p>Type K 100mm Long RS 787-7804 Allied 70653235</p>	<p>www.rspro.com</p>  <p>www.alliedelec.com</p>			
 <p>L60 Fine Wire Thermocouple Welder</p> <p>The Thermocouple Welder is a compact, simple-to-use instrument designed for thermocouple and fine wire welding. Supplied with foot switch, spare electrodes, pliers & safety glasses, impact clip and pen plate.</p>	<p>Best Sellers </p> <p>L60 Fine Wire Thermocouple Welder RS 363-0351 Allied 70825788</p> 				