

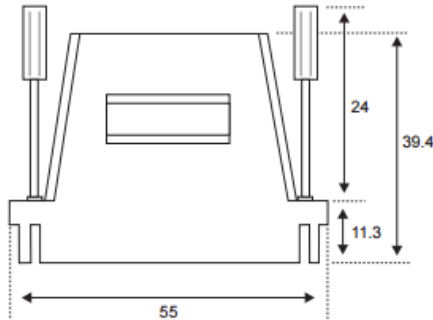
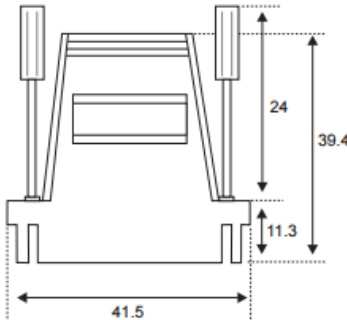
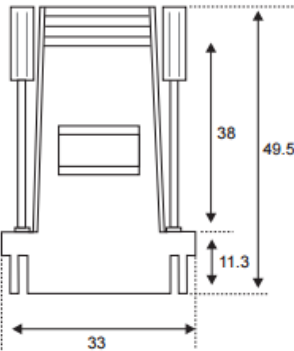
# Datasheet

## Red 9 way D plug w/RJ45 socket adaptor

RS Stock number 314-8111



### Dimensions: (mm)



### Specifications

RJ45 : Modular  
Pin : Cord Colour Red