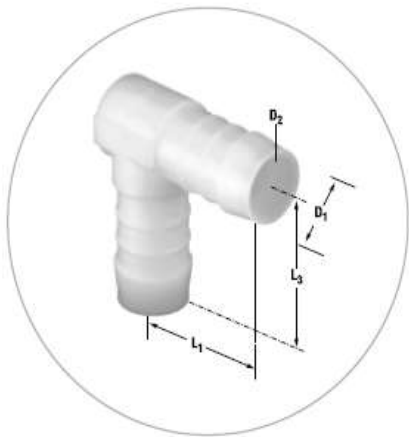
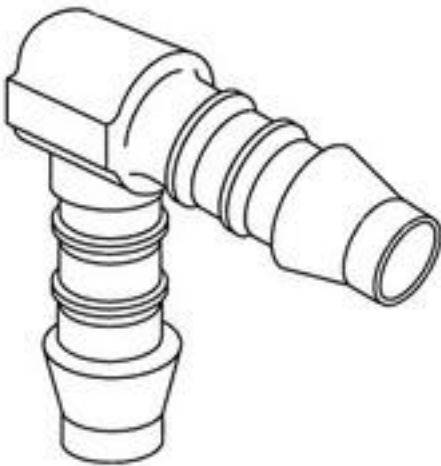


Datasheet

RS Pro Elbow Male, POM

RS Stock No: **419-7221**



D1	D2	L1	L3
3	2.5	12.5	12.5

Unit: mm

D1: Joiner Outer Diameter
 D2: Joiner Inner Diameter
 L1: Length

*Joiner Outer Diameter = Hose Inner Diameter

Product Details

RS Pro push-on male elbow connector made of acetal resin, is non-toxic, tough and lightweight. It offers good impact and wear resistance. The deep moulded ribs of this connector, uses hose clips for high pressure and positive sealing.

Features and Benefits

- Made of acetal resin
- Non-toxic, tough and lightweight
- Good impact and wear resistance
- Deep moulded ribs
- Provides high pressure, positive sealing

**Specifications:**

Body Material	POM
Coupling Connector Direction	Elbow
Coupling Connector Type	Elbow Coupler
Coupling Gender	Male
Threaded Connection	Push On
Hose Inner Diameter	3 mm
Length	12.5 mm