



ENGLISH

Datasheet

Stock No: 237-508

RS Pro Stainless Steel Knob



Product Details

Stainless steel

A range of high grade shot blasted wing knobs

Available in male and female formats

Relatively high torque can be achieved

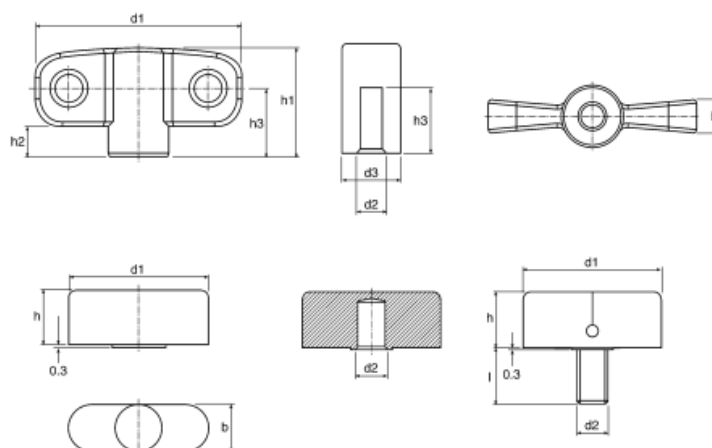
Dimensions (mm)										
Stock No.	Style	d2	d1	d3	l	h	h1	h2	h3	b
237-738	A	M6	45	13	n/a	n/a	24	5.5	12	7
237-700	A	M8	45	13	n/a	n/a	24	5.5	12	7
237-722	A	M8	57	16	n/a	n/a	28	6.5	15	8
237-716	A	M10	57	16	n/a	n/a	28	6.5	15	8
237-744	B	M6	25	n/a	n/a	10	n/a	n/a	n/a	8
237-508	B	M8	36	n/a	n/a	14.5	n/a	n/a	n/a	12
237-334	C	M6	25	n/a	20	10	n/a	n/a	n/a	8
237-344	C	M8	36	n/a	32	14.5	n/a	n/a	n/a	12
237-643	C	M10	36	n/a	40	14.5	n/a	n/a	n/a	12

Product Details

Note

Stock 237716 - Matt Finish Stainless Steel - Pattern 7910

Wing



Specifications:

Thread	M8 x 10
Thread Diameter	M8
Thread Length	10mm
Knob Shape	2-Arm
Mounting Type	Threaded Hole
Knob Diameter	36mm
Body Material	Stainless Steel
Insert Material	Stainless Steel