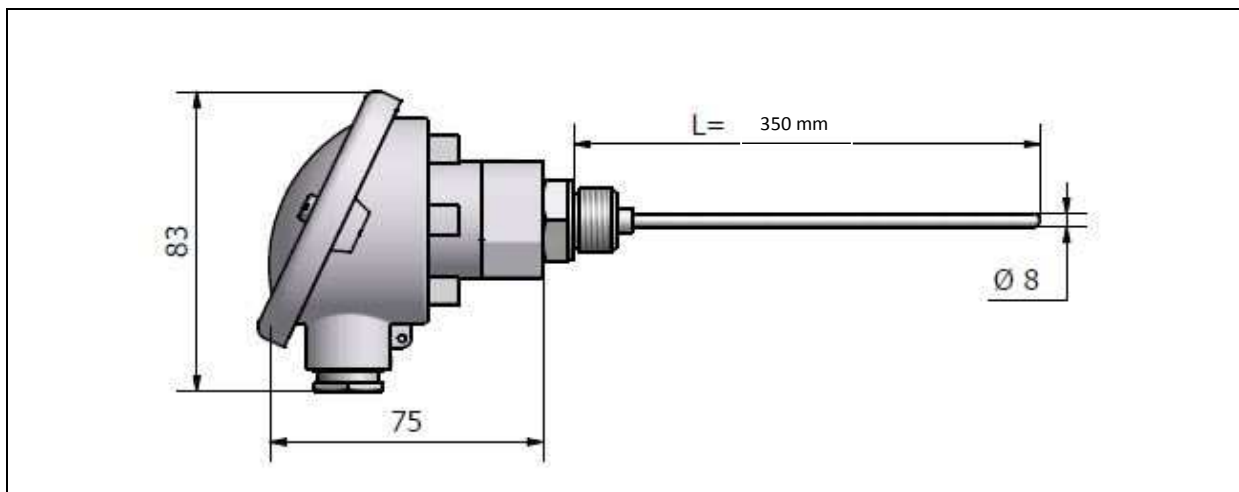


Data sheet

CSROT8

ENGLISH

RS Stock No.547-7590
RS Stock No.547-7590



RANGE :

- 50 / 250°C

USE :

- Universal under 250°C

KEY POINT :

- Quick Installation

SPECIFICATIONS :

- PT100Ω probe B Class – 1x3 wires
- Ceramic terminal block BLS3 type
- B12 Aluminium IP 54 Head with ½ BSP welded fitting
- 316L ss Ø8mm tube

DIMENSIONS :

- Sheath length = 350mm
- Tube diameter = Ø8mm

METROLOGICAL DATA :

- As per IEC 751
- Standard tolerance *PT100 B class* : ±0.30 + 0.005.[t°C]
- Timing = Water (v=0.4m/s): T0.5=0.25s ; T0.9=0.70s
- Timing = Air (v=1m/s): T0.5=5.5 ; T0.9=16s

Other type:

Length \ Diameter	50	100	150	250	350	500
8mm	547-7663	547-7714	547-7708	547-7635	547-7590	547-7742