

## FEATURES

- **Stainless steel - superior corrosion resistance**
- **Pressure Rating WOG: 68 bar**
- **Ball and Stem - AISI 316 Stainless Steel**
- **Handle Washer-Bolt Material - ASTM A36**
- **Operating Temperature Range: -15 C to 232 C**

## RS PRO Stainless Steel High Pressure Ball Valve 1/2 in BSPP 3 Way

RS Stock No.: 499-1944



RS Professionally Approved Products bring to you professional quality parts across all product categories. Our product range has been tested by engineers and provides a comparable quality to the leading brands without paying a premium price.

## Product Description

RS PRO range of stainless steel L and T port ball valves which are used for controlling flow and are an excellent choice for shut-off applications. These ball valves are durable and perform well even after long periods of time.

RS PRO stainless steel screwed end ball valves for the control of flow and are available in a variety of sizes and types.

- 499-1865 - L port ball valve, 1/4-inch BSP F
- 499-1871 - L port ball valve, 3/8-inch BSP F
- 499-1887 - L port ball valve, 1/2-inch BSP F
- 499-1893 - L port ball valve, 3/4-inch BSP F
- 499-1938 - T port ball valve, 3/8-inch BSP F
- 499-1944 - T port ball valve, 1/2-inch BSP F
- 499-1950 - T port ball valve, 3/4-inch BSP F
- 499-1966 - T port ball valve, 1-inch BSP F

## General Specifications

<b>Threaded Connection</b>	1/2 in BSPP
<b>Attachment Type</b>	Threaded
<b>Body Material</b>	Stainless Steel
<b>Thread Size</b>	1/2in
<b>Safe For Use With</b>	Gas, Oil, Water
<b>Ball Material</b>	AISI 316 Stainless Steel
<b>Thread Standard</b>	BSPP
<b>Handle Material</b>	AISI 304 Stainless Steel
<b>Type</b>	3 Way
<b>Application</b>	Heating systems; Water treatment; Liquid flow control

## Mechanical Specifications

<b>Connection Size</b>	12.7mm
------------------------	--------

## Operation Environment Specifications

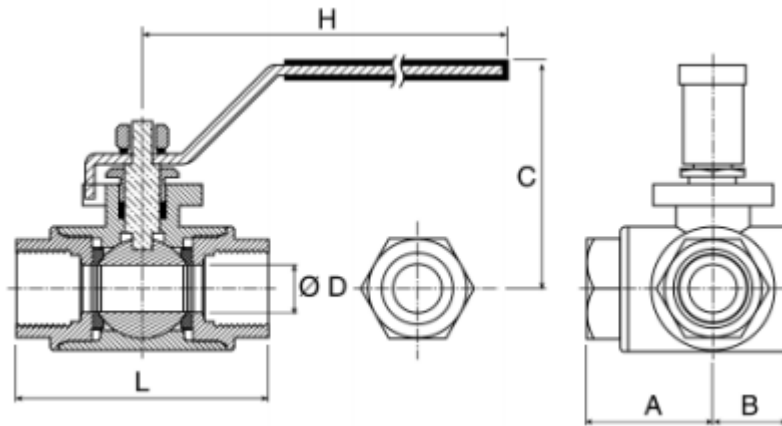
<b>Working Temperature</b>	-15°C to 232°C
<b>Maximum Working Pressure</b>	68 bar

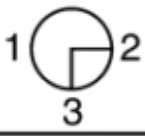
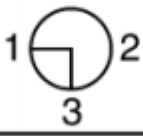
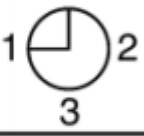
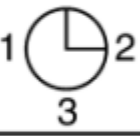
## Approvals

<b>Compliance/Certifications</b>	ISO-5211
----------------------------------	----------



Operating Temperature Range	to +232°C
Pressure Rating WOG	68 bar
Ball and Stem	AISI 316 Stainless Steel
Gland Nut, Handle, Stop-bolt and Lock Plate	AISI 304 Stainless Steel
Body Seal, Seal, Thrust Washer and Stem Pack Material	PTFE
Handle Washer-Bolt Material	ASTM A36



Port Type	1	2	3	4
<b>L</b>				
<b>T</b>	