

RS PRO Photoelectric Sensor

RS Stock No.: 202-5446, 202-5447

FEATURES

- Emitter and receiver built in one housing, sensing distance adjustable;
- Background suppression function, reliably detect multiple colors and objects;
- Super anti-interference to ambient light.
- Bracket Included: 86*64*22mm



RS Professionally Approved Products bring to you professional quality parts across all product categories. Our product range has been tested by engineers and provides a comparable quality to the leading brands without paying a premium price.

Part Number Description

Part number	Sensing distance	Light source	Output	Connection
202-5446	200cm (adjustable)	Red LED (870nm)	NPN+PNP NO/NC	2m PVC cable
202-5447	200cm (adjustable)	Red LED (870nm)	NPN+PNP NO/NC	M12 connector

General Specifications

Detection Type	Background suppression sensor
Rated distance [Sn]	200cm adjustable
Standard target	Reflection rate: White card 90%; Black card 10%
Output	NO/NC (Selected by button)
Response Time	≤2ms
Hysteresis [%/Sr]	≤5%
Output Indicator	Yellow LED
WH&BK color variation	≤10%
Repeat accuracy [R]	≤3%
Ambient Temperature	-15°C...55 °C
Ambient humidity	35...85%RH (Non-condensing)

Electrical Specifications

Operating Supply Voltage	10...30 VDC
Current Consumption	≤50mA
Residual voltage	≤2.5V
Load Current	≤150mA
Voltage withstand	1000V/AC 50/60Hz 60s
Insulation resistance	≥50MΩ(500VDC)
Vibration resistance	10...50Hz (0.5mm)
Reverse Polarity Protection	YES
Overload Protection	YES
Short Circuit Protection	YES

Mechanical Specifications

Body Style	Block
Mounting Type	Screw
Housing Material	ABS
Dimensions	75*60*25mm
Gross Weight	180g (connector type) / 260g (cable type)

Protection Category

IP Rating	IP67
------------------	------

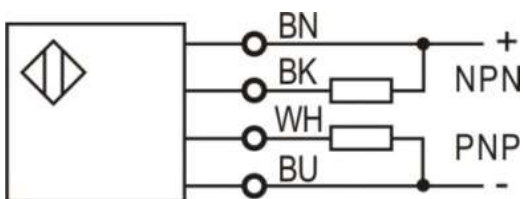
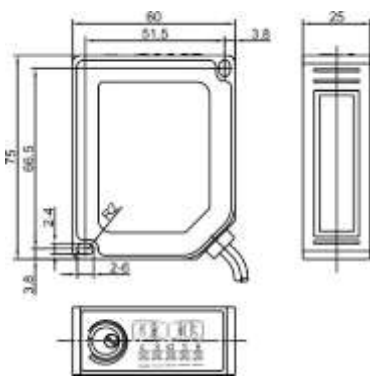
Additional Information

Custom Tariff Number/HS code	903180
-------------------------------------	--------

Approvals

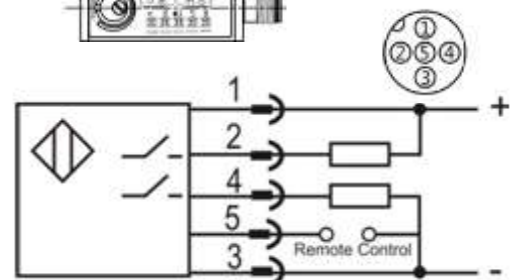
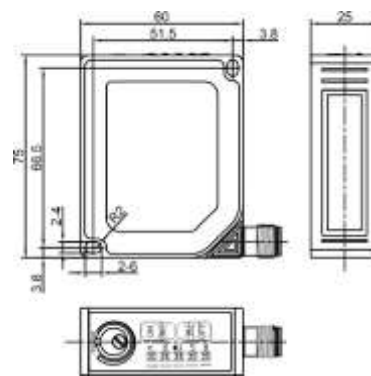
Compliance/Certifications	CE
----------------------------------	----

Dimension and Wiring



NPN+PNP NO/NC

Cable type



NPN+PNP NO/NC

Connector type