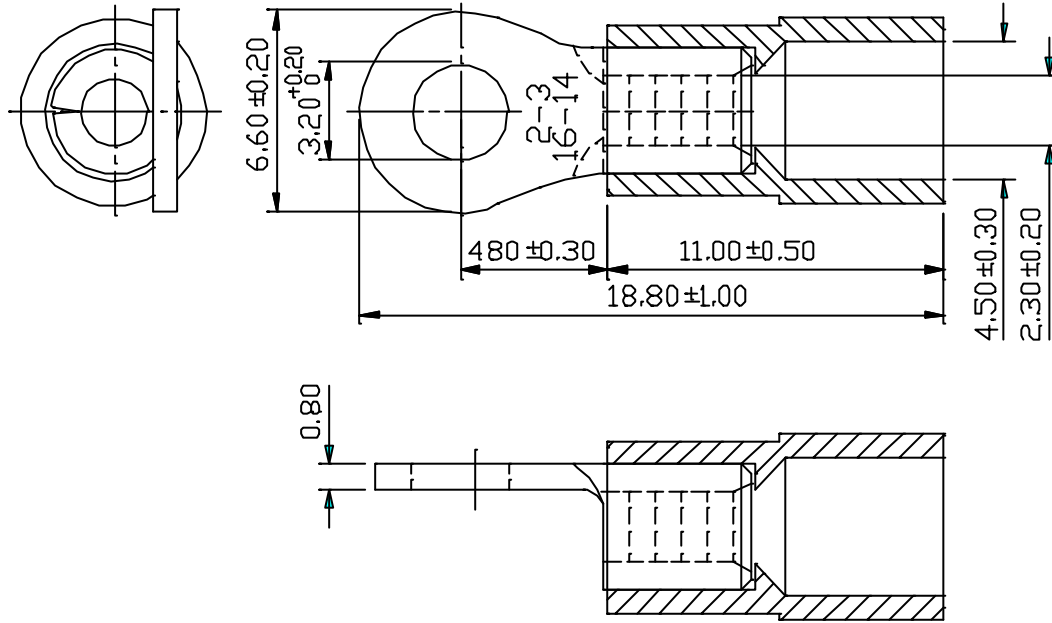




REV	DESCRIPTION	DATE
-----	-------------	------



NOTE:

- MAXIMUM ELECTRIC CURRENT:

A.W.G.	16	14
AMP.	18	30
- MAXIMUM ELECTRICAL RATING:
75°C 600 VOLTS MAX.
- INSULATION MATERIAL: VINYL
- INSULATION COLOR: BLUE
- TERMINAL MATERIAL: COPPER
- WIRE RANGE: 16-14 A.W.G. (1.5-2.5 mm²)

Tolerance Unless Otherwise Specified	
0 >	MM ± ANGLE
>	MM ± 0° REF ±
>	MM ± ° ±
>	MM ± ° ±

NAME	VINYL-INSULATED RING TERMINALS			UNIT	MM	
PART NO.	RVY2-3.20	MATERIAL		APPROVE		
NUMBER	TZV-381	SCALE	SHEET	PAGE	CHECKED	
DATE	09/07/2005	4 : 1	1-0	1 OF 1	DRAWN	