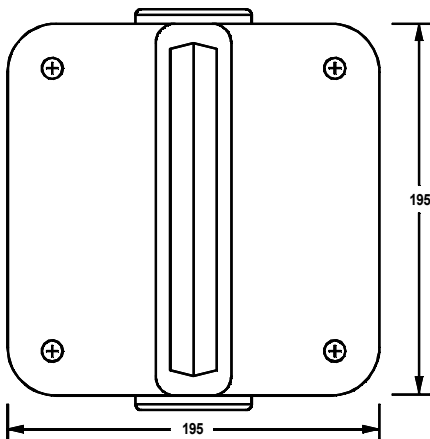
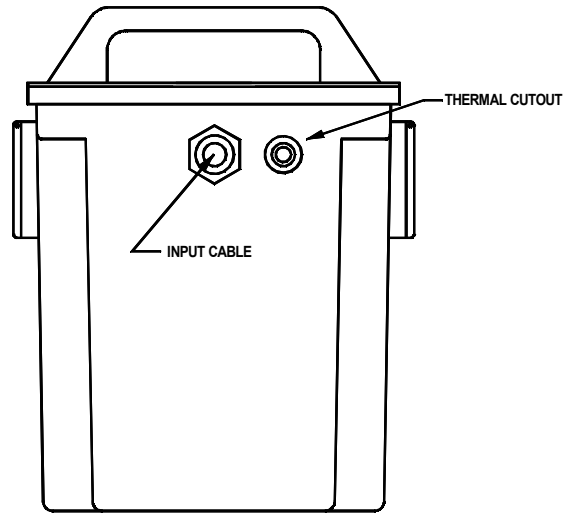
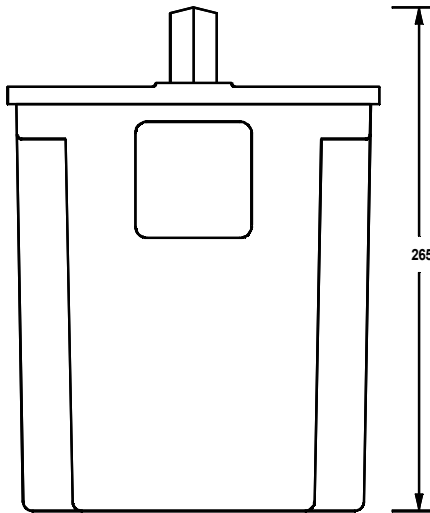


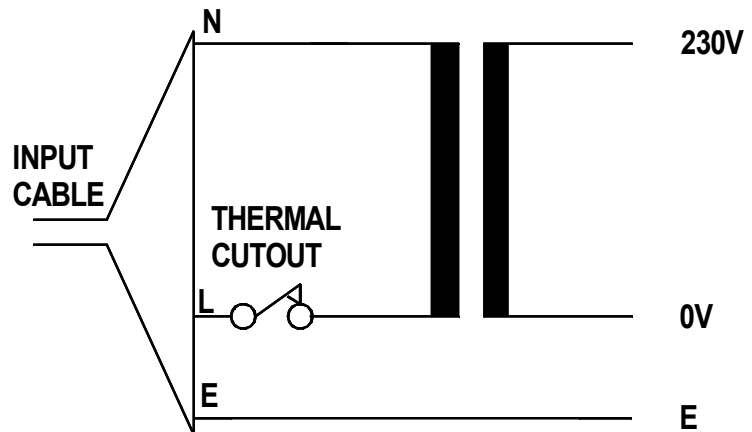


RS Pro Datasheet

Stock No: 1226713



OUTPUT SOCKETS



PORTABLE ISOLATION TRANSFORMER

WIRING ARRANGEMENT

INPUT	230V 50/60Hz
OUTPUT	230V
RATING	1.5 kVA INTERMITTENT 5 MINS ON 15 MINS OFF
THERMAL CUTOUT	6AMP
OUTPUT SOCKETS	2x13A BS1363 - IP44
INPUT PLUG	13A BS1363
ENCLOSURE	GRP - COLOUR YELLOW
WEIGHT	12 KGS