

FEATURES

- Made of ABS
- Available in black colour with white buttons
- Recessed buttons that prevents accidental pressing
- Durable enclosure
- Suitable for A23 battery

RS PRO Enclosures for remote control

RS Stock No.: (2383973)



RS Professionally Approved Products bring to you professional quality parts across all product categories. Our product range has been tested by engineers and provides a comparable quality to the leading brands without paying a premium price.

Product Description

Enclosures for remote controls - are used in both industrial and home use. They are made from ABS and is designed for A23 battery. The enclosure has four recessed buttons that prevents accidental pressing. These enclosures are suited well as a remote controls for gates, rolling shutters, cars, etc.

General Specifications

Material	ABS
Colour	Black with white buttons
Applications	For remote control
Accessories	Screw 2,2/8 – 1 psc

Mechanical Specifications

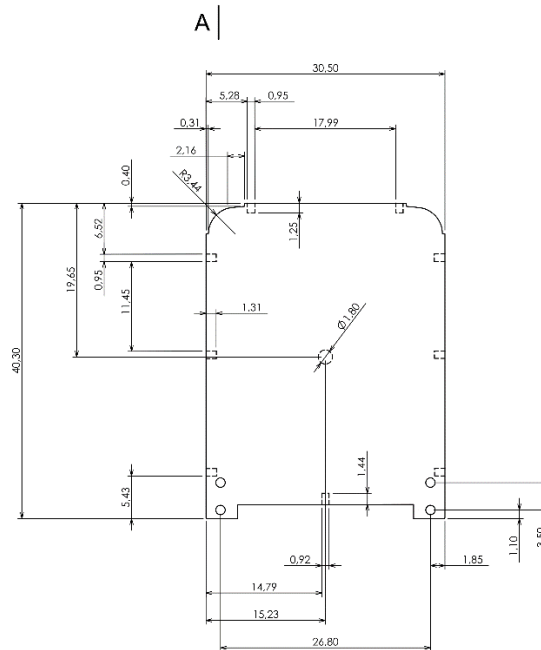
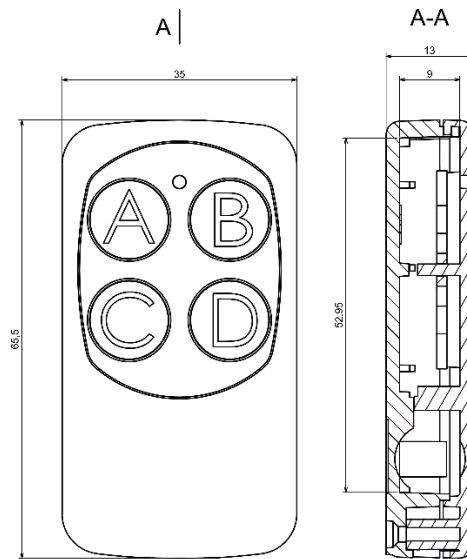
Height	13.0 mm
Width	35.0 mm
Length	65.5 mm
Gasket	No

Approvals

Standards Met	RoHS Compliant
----------------------	----------------

Similar Products

Stock No.	Brand	Product Name	Colour
(2383977)	RS PRO	Enclosure for remote control	Lightgray
(2383976)	RS PRO	Enclosure for remote control	White



All dimensions are given within +/-0,5mm tolerance