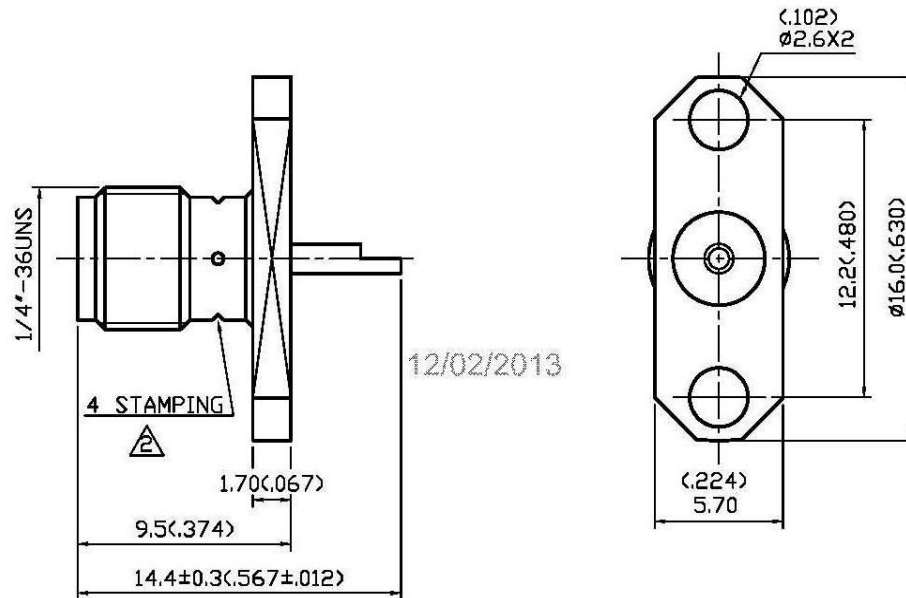


NO	DESCRIPTION	DATE
①	BACKGROUND FORMAT UPDATED	06.18.02
②	ADD STAMPING MODIFICATION PARTS ③	05.02.03
③	BACKGROUND FORMAT UPDATED	04.07.09
④	WORKING VOLTAGE → VOLTAGE RATING DEL. PROOF VOLTAGE	05.27.13



1.0 ELECTRICAL

- 1.1 FREQUENCY RANGE: DC-18 GHz
- 1.2 NOMINAL IMPEDANCE: 50 OHMS
- 1.3 VOLTAGE RATING: 500 VOLTS MAX. ④
- 1.4 VSWR: 1.25 MAX.

2.0 MATERIALS

- 2.1 BODIES: BRASS PER JIS-C3604
- 2.2 CENTER CONTACT: BERYLLIUM COPPER PER ASTM B196 UNS C17300
- 2.3 INSULATION: TEFLON PER ASTM D1457 AND ASTM D1710

3.0 FINISHES AND OTHERS

- 3.1 SEE BELOW TABLE FOR DETAILS.

4.0 MECHANICAL

- 4.1 INTERFACE IN ACCORDANCE WITH: MIL-STD-348A

5.0 ENVIRONMENTAL

- 5.1 OPERATING TEMPERATURE RANGE: -85° C TO +165° C

NO	DESCRIPTION	MATERIAL	Q'TY	FINISH
3	CENTER CONTACT	BERYLLIUM COPPER	1	GOLD 50 μ" MIN.
2	INSULATION	TEFLON	1	NONE
1	BODY	BRASS	1	GOLD 3 μ" MIN.



APPROVED

by _____ DATE: _____

DESCRIPTION		SMA STRAIGHT 2 HOLE FLANGE JACK RECEPTACLE								
製圖	DRAWN	TOLERANCE		品名	19-17-2	T.G.G	日期	DATE	版次	REV.
	Yoko	X	±0.2	TITLE	\ROHS COMPLIANT <50Ω		09.13.95'		A-4	
檢圖	CHECK	XX	±0.1	單位	mm(in)		DWG.NO.	19-0117		
	Arc	XXX	±0.05	比例	SCALE					
認定	Jenny	ANGLE	±5°							