



Datasheet

RS PRO

Stock numbers:

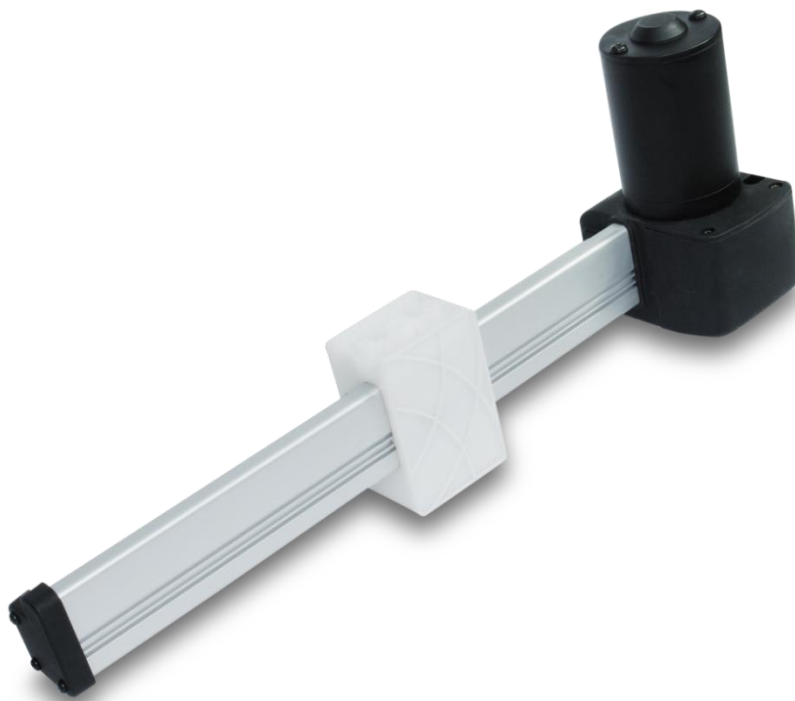
1774518

1774519

1774520

1774521

EN

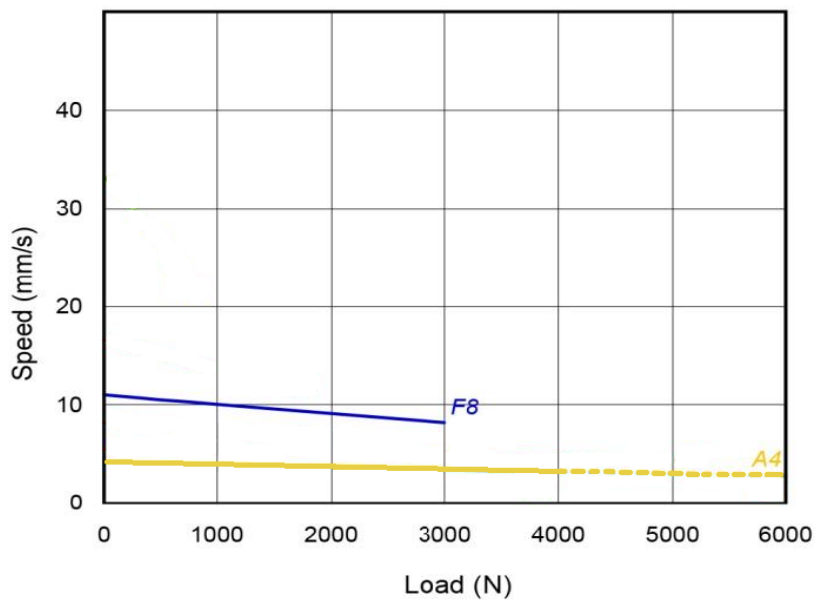


- ◆ This is a quiet and powerful actuator. The actuator's carriage allows a long stroke range in confined spaces.
- ◆ Input voltage : 24V DC
- ◆ Max. load : 6000N (push) / 4000N (pull)
- ◆ Max. current : 3A @ 24V DC
- ◆ Max. speed at no load : 11.0 mm/sec
- ◆ Max. speed at full load : 2.9 mm/sec @ 6000N
- ◆ Strokes : 400~800mm
- ◆ Duty cycle : 10%, max. 2 min. continuous operation in 20 min.
- ◆ Ambient operation temperature : -20°C ~ +5°C
- ◆ Color : Black
- ◆ Certified : CE Marking, EMC Directive 2014/30/EU
- ◆ Noise Level : \leq 50dB
- ◆ Preset limit switches
- ◆ IP Rating: IP50

RS Number	Push Max. (N)	Pull Max. (N)	Speed (mm/s)		Voltage (DC)	Stroke (mm)
			No load	Full load		
1774518	6000	4000	4.2	2.9	24	400
1774519	3000	2500	8.2	5.0	24	800*
1774520	3000	2500	11.0	8.2	24	400
1774521	3000	2500	11.0	13.5	24	800

Speed vs. Load

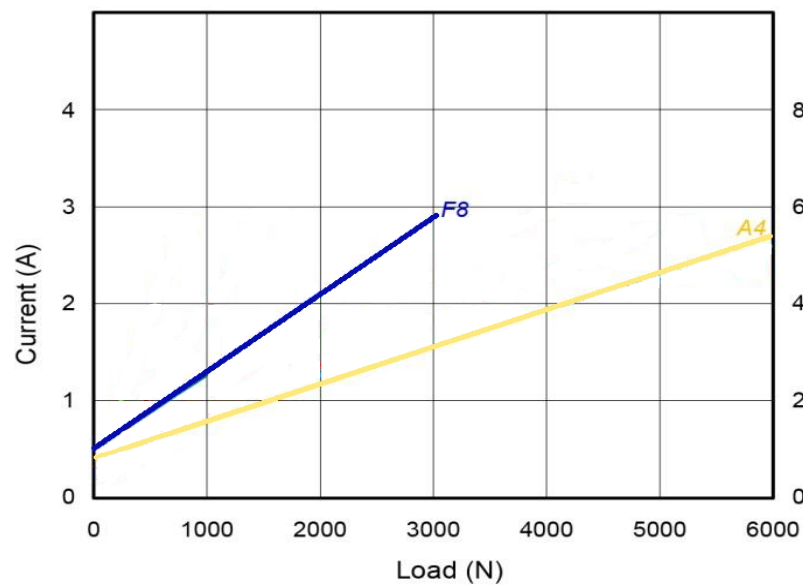
*at 800mm Stroke force max.3000N



Current vs. Load

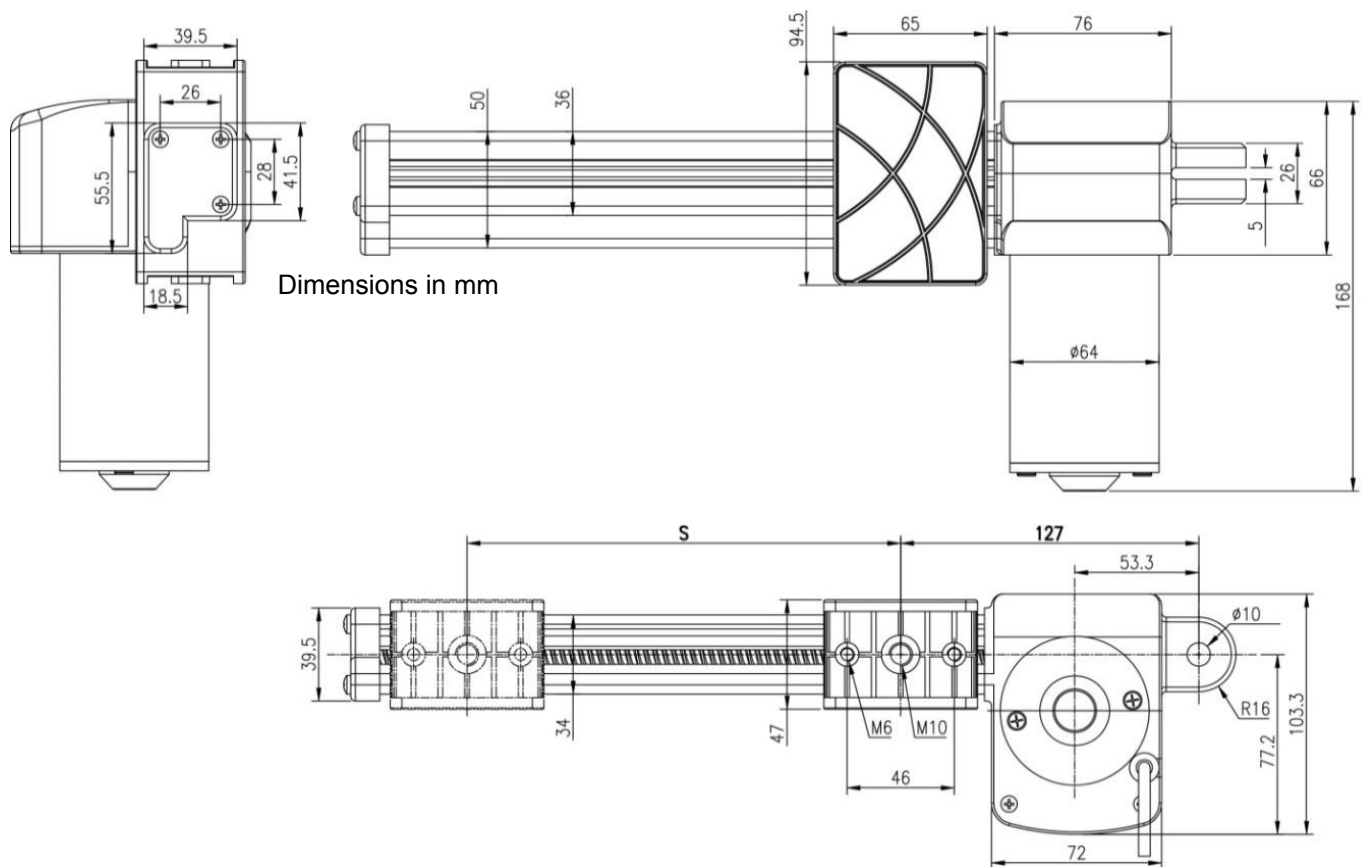
24V DC

12V DC



Push / Pull Load — Push Load - - - -





- ◆ Available stroke (S) range = 400 ~ 800 mm
- ◆ Retracted length (A) = 127mm Min.
- ◆ Extended length (B) = A + S