

FEATURES

- Maximum output power 135W
- Waterproof IP55 for dust and water spray resistance
- Temperature is controlled by self-thermostat
- Capable of heating area 0.5 m²
- Surface mount brackets come as standard for easy installation by wall / floor mounting.
- Easily installation by sliding brackets together and screw into the application then clip the heater.

RS PRO Tubular Heater 135W

RS Stock No.: 135-8428



RS Professionally Approved Products bring to you professional quality parts across all product categories. Our product range has been tested by engineers and provides a comparable quality to the leading brands without paying a premium price.

Product Description

The tubular heater is ideal for use as a greenhouse heater, garage heater, shed heater loft heater or any space that require background heating. It's supplied pre-fitted with 1 meter of 3 core main cable without a molded plug ready to be installed into a fused spur.

* Please be noted that the temperature is controlled by self-thermostat which installed inside the product. The thermostat controls product temperature, once the temperature reach 90°C, the thermostat will activate. Once the temperature lower down, the heating tube will continue to work. The very important point is that the thermostat cannot control the air temperature, only for product inner temperature.

General Specifications

Overall Dimension	61 x 9.5 x 9.5 cm
Tube Material	Steel
Bracket Material	PC
Finish	Powder coating white color
Mounting Accessories	2 x Mounting brackets for wall, floor mounting
Plug	Excluded
Cable	Included, 1M length

Electrical Specifications

Power Supply	240V, 50Hz
Wattage	45W
Water Prove IP rating	IP55
Heating Area	1.5 m ²

Additional Information

Custom Tariff Number	85168000
----------------------	----------

Approvals

Certificate	CE, RoHS, GS
-------------	--------------

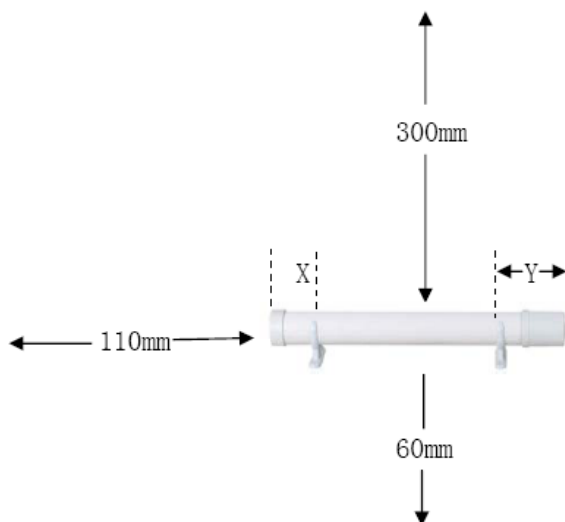
Similar Products

Stock No.	Brand	Product Name
1358426	RS PRO	Steel Tubular Heater 45W
1358427	RS PRO	Steel Tubular Heater 80W
1358429	RS PRO	Steel Tubular Heater 240W

BEFORE ATTEMPTING TO INSTALL UNITS , ENSURE POWER IS OFF , AND PLEASE PAY ATTENTION TO FOLLOWING SETPS.

MOUNTING POSITION :

The electrical heater should be mounted on the wall as the figure below



For 1358426~1358428:

Two brackets used to fix the heater as this figure.

X=40mm

Y=100mm

1. Screw the two bottom halves of the bracket to the wall, place tubular heater on brackets.
2. Fasten top brackets over tube.

Installation Direction

1. This heater must be installed in a horizontal position only. Please do not mount it vertically. Before installation, please check you have all the parts listed below.
4 x Small screws, 4 x Large screws, 4 x Expansion screws, 2 x Wall attachments
1 x Tube heater
2. Secure the tube heaters to the wall attachments, and screw in place with small screw.



3. Hold the heater against the wall and mark the position of the fixing holes. If fixing to a studed wall, or a Wooden surface, use the large screw and wall plug. If the wall is hollow, or you are drilling into masonry, using the pilot holes as guide, drill again using a 6.5mm drill bit and insert a wall plug into each hole. Once holes are prepared, mount the tube and secure.



4. Now plug into a mains wall socket. When you switch the wall socket on, the red indicator light will switch on, and your heater is now on. To turn your heater off, switch the wall socket of, or unplug.

Caution:

It is very important that the Tubular Heater is mounted horizontally to a wall at low-level. Any shelving placed above the Tubular Heater must be at distance of at least 300mm. Air should be allowed to freely circulate around the Tubular Heater to avoid overheating.

