

FEATURES

- High static pressure and high airflow
- Static pressure optimised at inflection point where fan operated for high impedance applications
- 30,000 to 60,000 hour life fans @ 60 Degree C
- Permanently lubricated dual ball bearing system

RS PRO DC AXIAL FAN

RS Stock No.: 2399454



RS Professionally Approved Products bring to you professional quality parts across all product categories. Our product range has been tested by engineers and provides a comparable quality to the leading brands without paying a premium price.

Product Description

These RS PRO Axial Fans are ideal for telecoms servers with high density systems where powerful fans are required to dissipate heat. In these extreme performance environments where higher speed and higher capacity hard drives are more susceptible to vibrations, these fans can offer a high airflow/ pressure and low vibration solution to meet the requirements.

Besides the great performance, benefits also include:

1. High reliability and long-life which can save the customer the cost of maintenance and downtime.
2. EMC solution built into fan unit.
3. High PQ Performance which provides reliable solution when Telecom systems are required to dissipate heat
4. Low noise design
5. High efficiency reduces power consumption and meets ErP standard

General Specifications

DC FAN 92 x 92 x 25 mm	5000 RPM, 92.5 CFM, 11.5 mm-H ₂ O, 53 dBA
------------------------	--

Mechanical Specifications

Ball BEARING	Frame Plastic (94V-0) ; Impeller Plastic (94V-0)
--------------	--

Electrical Specifications

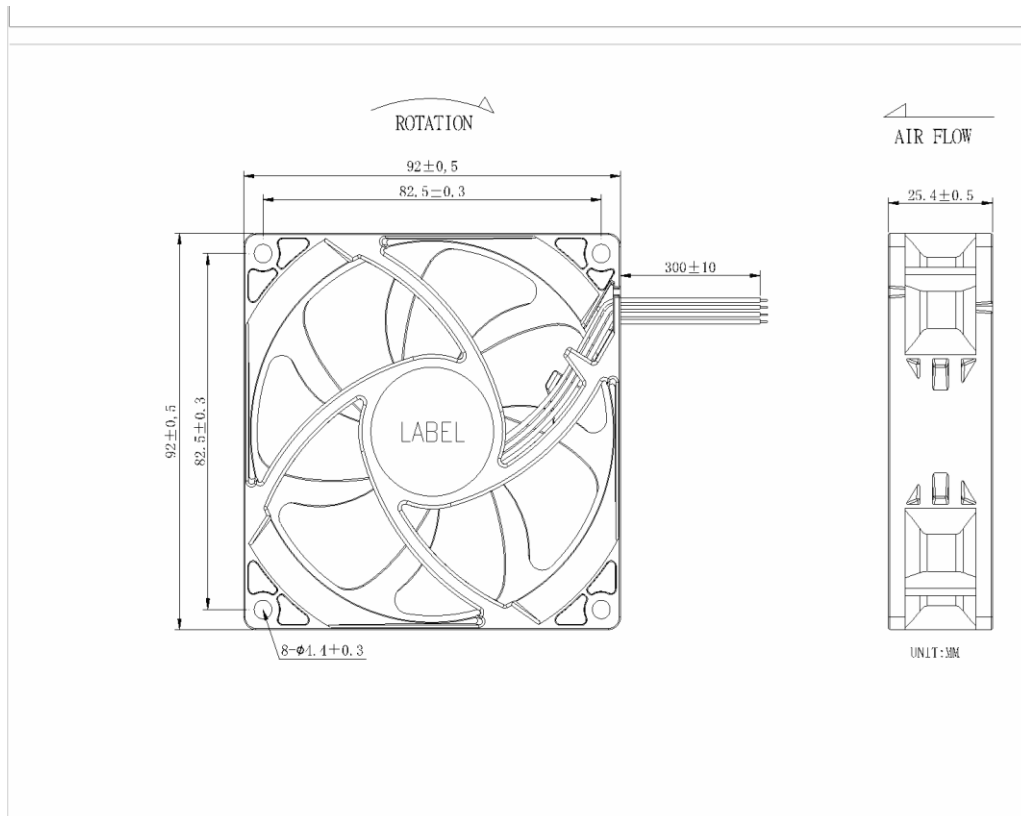
Voltage 24 V dc	Operation Voltage: 14.0~26.2 V dc , 0.35 A
-----------------	--

Classification

Safety Certification	UL , TUV , CE

Approvals

Quality System Approval	ISO9001
Environmental system Approval	ISO14001



NOTE:

LEAD WIRES UL 1007#24 AWG
 BLACK WIRE----- (-)
 RED WIRE----- (+)
 YELLOW WIRE----- (FG)
 BLUE WIRE----- (PWM)