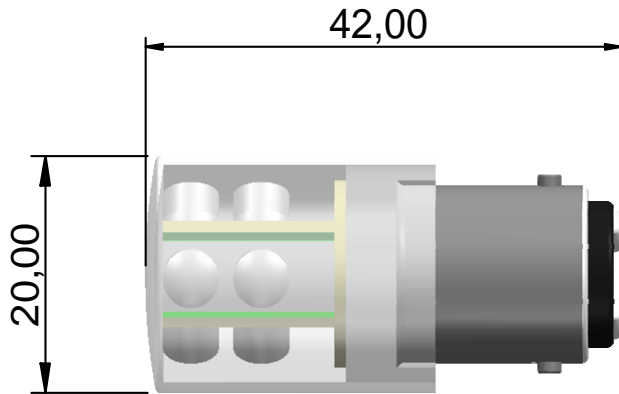


RS ITEM NO 209-333

ITEM NO TLG24A



LED/Multiled	LED	Optimum voltage (V)	24Vac/dc	Intensity	150mcd
Mounting Size	13mm	Rectifier		Reverse Voltage	
Mounting Finish		AC current	13mA	360 Illumination for Stack Light or Tower Light	
Protection		DC current	20mA (max)		
Mount Holder	BA15D	Voltage Tolerance(%)	10%		
Chip Qty	6	Optimum temperature (°C)	-30°C...+60°C		
Indicator colour	Green	Storage temperature (°C)	-30°C...+60°C		
Wavelength (nm)	530nm	Contact Tab x 2	BA15D BaseCap		



*Dimension in mm (typical), not to scale.  
We reserve the right to make changes without further notice to this product to improve reliability, function or design.*