

## Datasheet

# RS PRO PC-INSULATED DOUBLE CRIMP MALE DISCONNECTORS

Stock number: 178-8378

**MAXIMUM ELECTRIC CURRENT:**

A.W.G.	22	20	18	16
AMP.	3	4	7	10

**MAXIMUM ELECTRICAL RATING:** 105° C 600 VOLTS MAX.

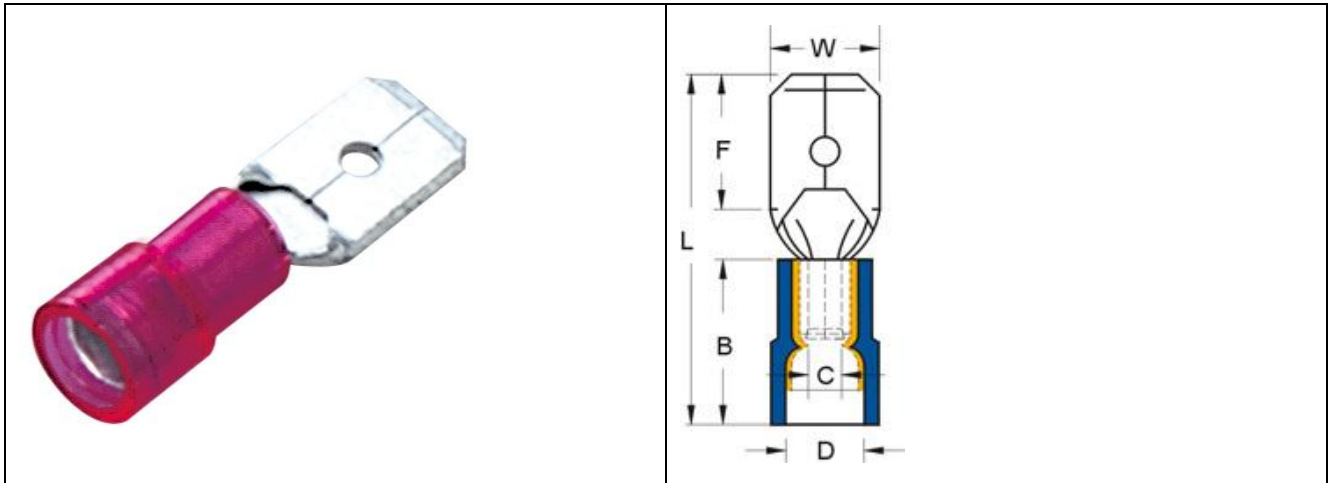
**INSULATION MATERIAL:** PC

**TERMINAL MATERIAL:** BRASS

**INSULATION COLOR:** RED

**DOUBLE CRIMP:** WITH COPPER SLEEVE ON BARREL

**TERMINAL BARREL I.D.:** C=1.7MM



WIRE RANGE A.W.G. mm <sup>2</sup>	ITEM NO.	NEMA TAB	DIMENSION inch(mm)						
			W	F	L	B	D	T	
22-16 A.W.G. 0.5-1.5 mm <sup>2</sup>	<input type="checkbox"/> 178-8378	.032X.250 (0.8X6.35)	0.25 6.35	0.303 7.7	0.866 22	0.433 11	0.157 4.000	0.016 0.4	