

FEATURES

- UL & CUL & ENEC15 approved
- SPST to 4PDT
- Various configurations available
- Sealing boot available with various colors

RS PRO

RS Stock No.: 2066975, 2066976, 2066977, 2066978, 2066979, 2066980, 2066981



RS Professionally Approved Products bring to you professional quality parts across all product categories. Our product range has been tested by engineers and provides a comparable quality to the leading brands without paying a premium price.

Similar Products

Stock No.	Brand	Product Name	Switch Function
2066980	RS PRO	Sealed Toggle Switch	SPDT (ON)-OFF-(ON)
2066981	RS PRO	Sealed Toggle Switch	SPDT ON-OFF-(ON)
2066979	RS PRO	Sealed Toggle Switch	DPST ON-OFF
2066975	RS PRO	Sealed Toggle Switch	DPDT ON-ON
2066977	RS PRO	Sealed Toggle Switch	DPDT (ON)-OFF-(ON)
2066978	RS PRO	Sealed Toggle Switch	DPDT ON-OFF-(ON)
2066976	RS PRO	Sealed Toggle Switch	DPDT ON-OFF-ON

Product Description Attribute

12A 125/250VAC Power Level, from SPST to 4PDT with a variety of options for actuator, bushing and terminal. Optional locking lever or safety cover to prevent from accidental actuation

Suitable applications:

- *Instrumentation*
- *Shut-off switch*

Package Contain

1 x Sealed Toggle Switch
2 x Hex Nuts
1 x Washer
1 x Locking Washer

General Specifications

Poles/Throws	SPDT
Switch Functions	(ON)-OFF-(ON)

Mechanical Specifications

Mechanical Life	Without load, 30,000 cycles min.
------------------------	----------------------------------

Electrical Specifications

Contact Rating	12A @ 125/250VAC, 1/2 HP 125VAC, 1HP 250VAC
Electrical Life	30,000 make-and-break cycles at full load
Contact Resistance	20m-ohms max. initial @ 2-4VDC, 100mA
Insulation Resistance	Apply 500VDC for 1min. After which measurement to be made b/w terminals shall result 100M-ohms min.
Dielectrical Strength	1,500VAC (50Hz-60Hz) for 1 min. shall result no damage to parts arcing or flashover
Operating Temperature	-30Celsius degree to +85Celsius degree

Reliability Performance

Soldering Heat Resistance	Max soldering temperature @ 260Celsius degree, immersion time 5+/-1sec. No deformation on terminal or surrounding enclosure
Cold Test	Stored at temperature -30(+/-3)Celsius degree for 48 hours, shall result no changes to switch's electrical performance
Hot Test	Stored at temperature +85(+/-3)Celsius degree for 48 hours, shall result no changes to switch's electrical performance
Humidity Test	Stored at temperature 40(+/-3)Celsius degree with relative humidity 90%~95% for 48 hours, shall result no changes to switch's electrical performance
Soldering Temperature	Hand soldering @ 350 Celsius degree for 3sec. max. (No pressure to be applied on terminals)

Protection Category

IP Protection	IP68 front panel protection
----------------------	-----------------------------

Material Characteristics

Actuator	Brass
Bushing	Aluminium die casting alloy
Oring	Silicone gasket
Contact	Silver alloy
Body	Nylon 66
Terminals	Brass with tin plating
Hardware	Steel with trivalent zinc plating

Product Handling & Storing

The switch is suitable for power rated applications, rating recommendation is per aforementioned above (Contact rating section)
 Problem relates to terminal oxidization can be prevented by storing product in an environment that is dry and cool with the relative humidity less than 90%. Noted, prior to mounting products onto circuit board as well as for unused units, it is recommended to keep them in the bag and with the bag sealed.

Additional Information

Custom Tariff Number	8536500000
-----------------------------	------------

Approvals

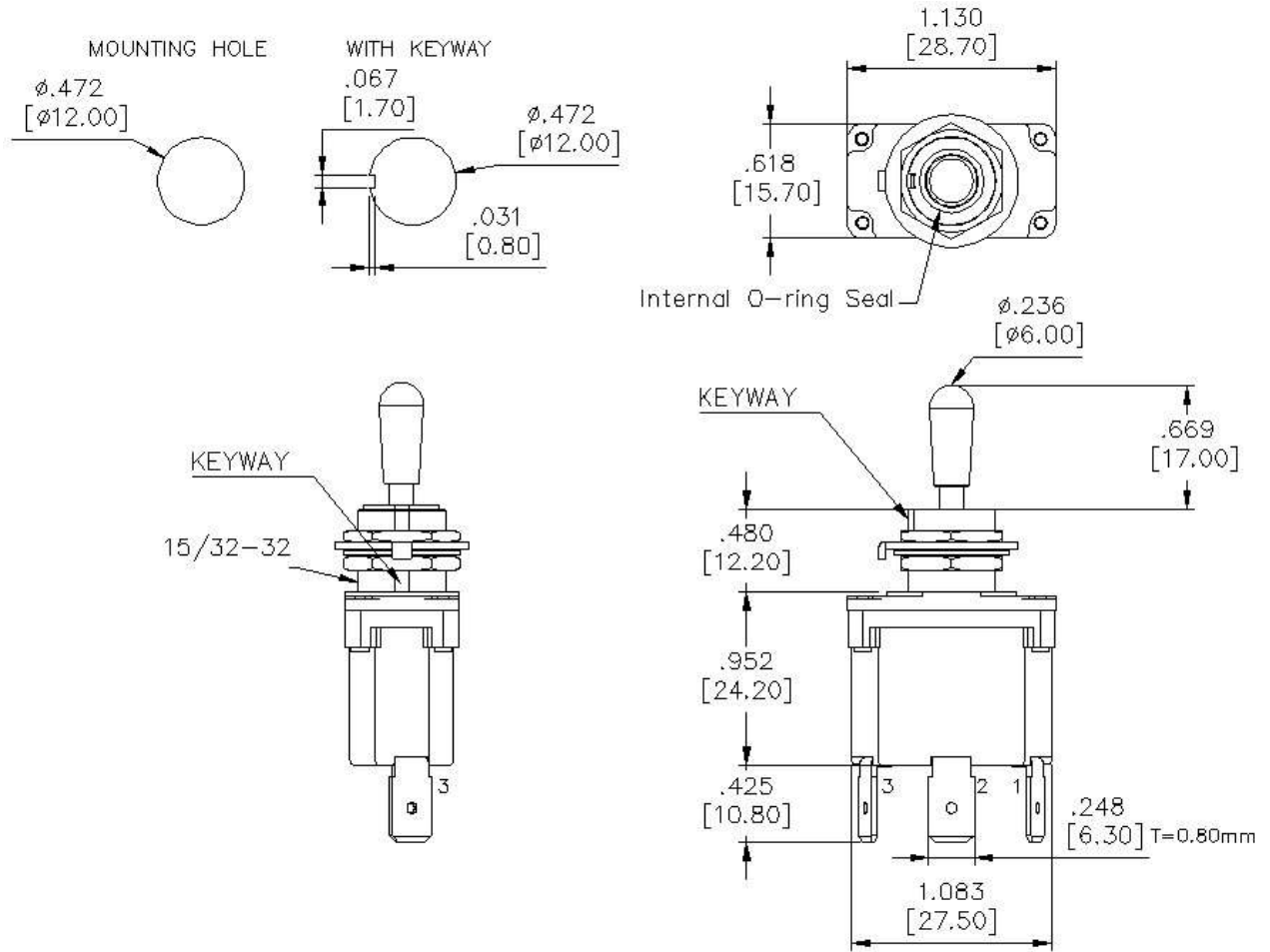
Declarations	MFR Declaration of Conformity
Hazardous Area Certification	RoHS 2011/65/EU & 2015/863
Standards Met	UL 61058 / UL 1054 / ENEC 15

Sealed Toggle Switch

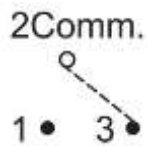


Stock No. 2066980

Drawing:

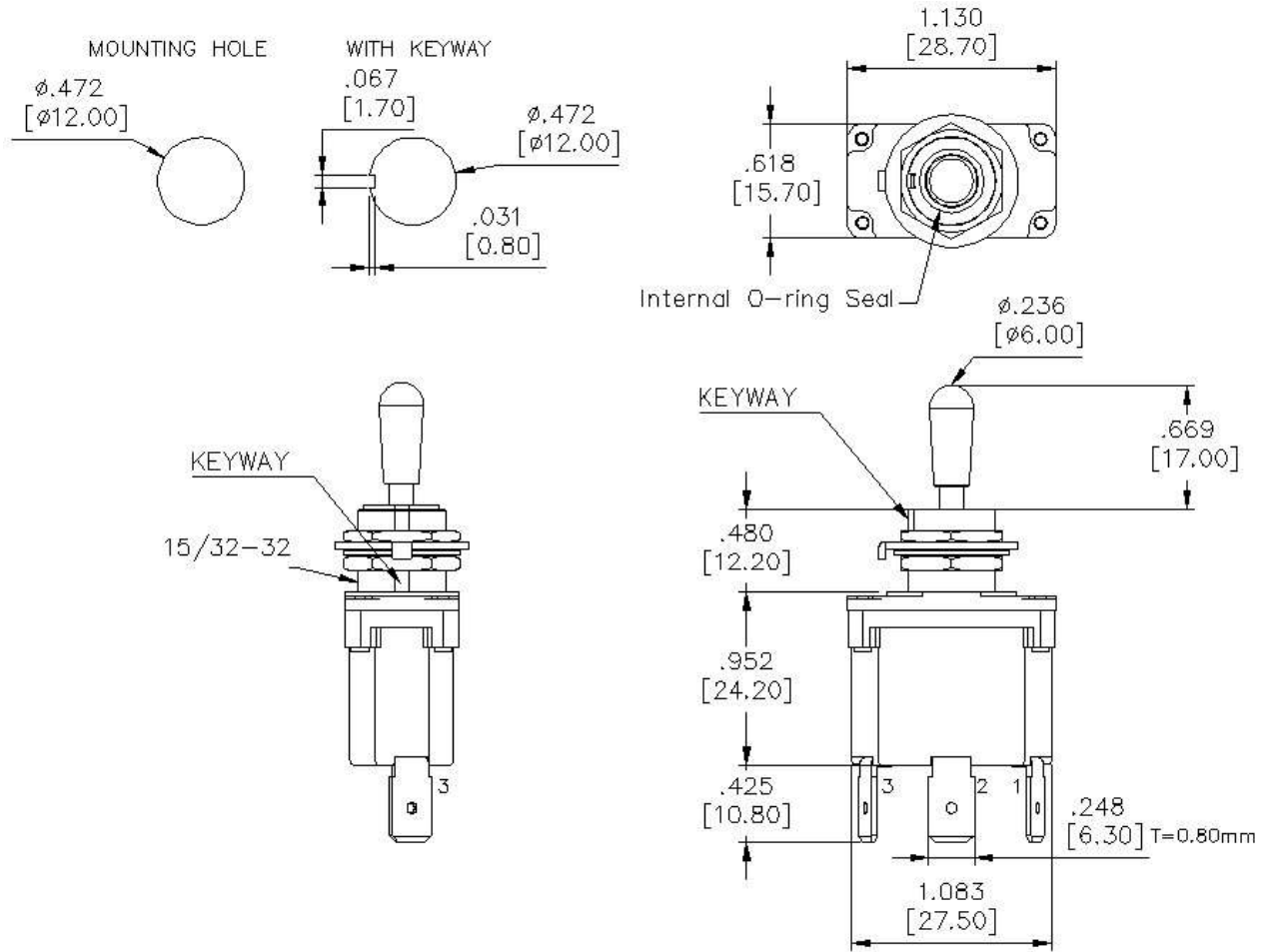


Schematic:

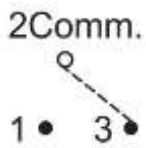


Stock No. 2066981

Drawing:

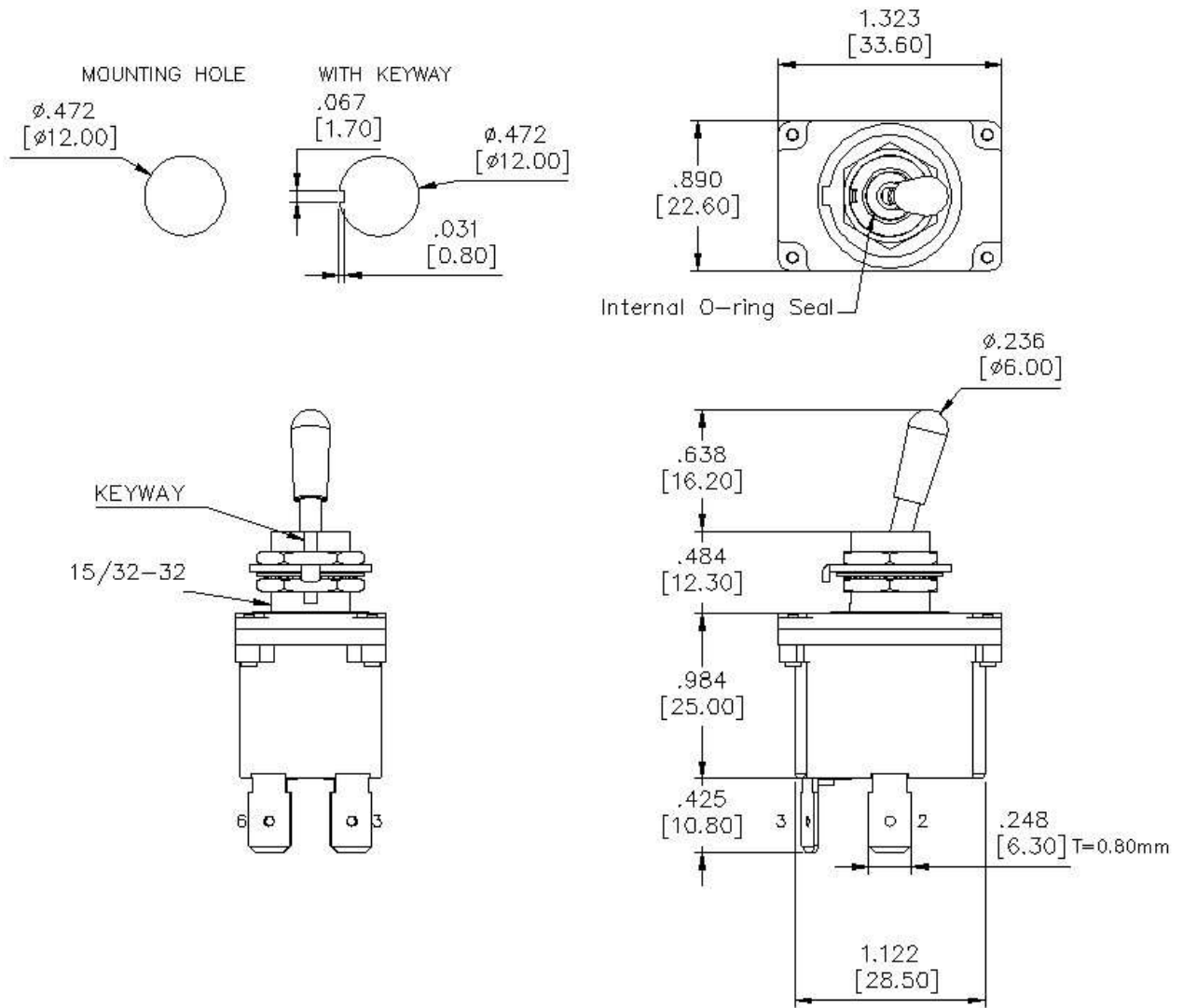


Schematic:

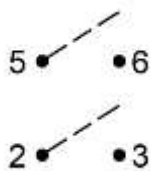


Stock No. 2066979

Drawing:

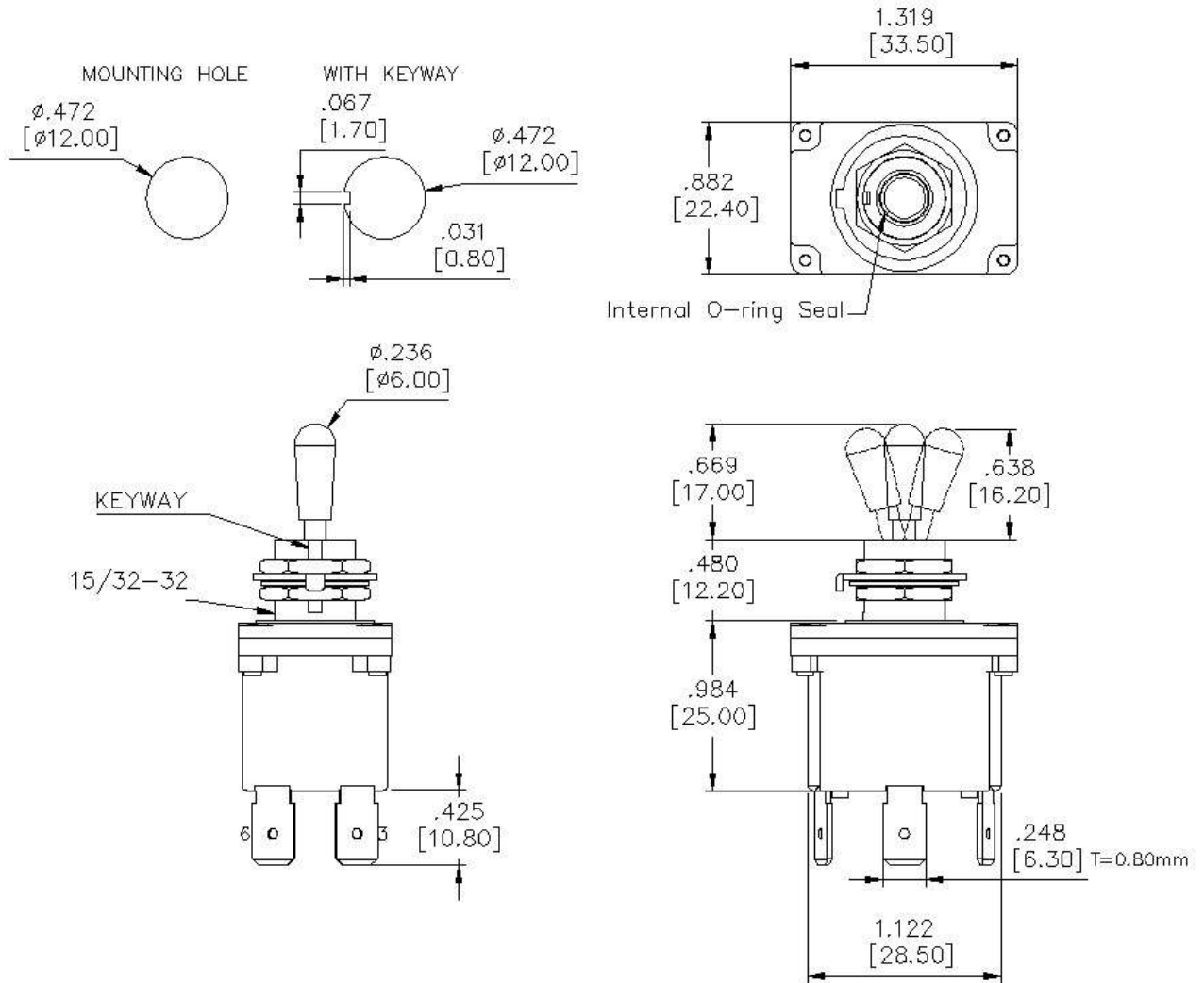


Schematic:

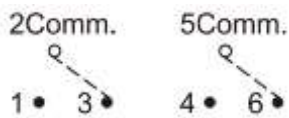


Stock No. 2066975

Drawing:

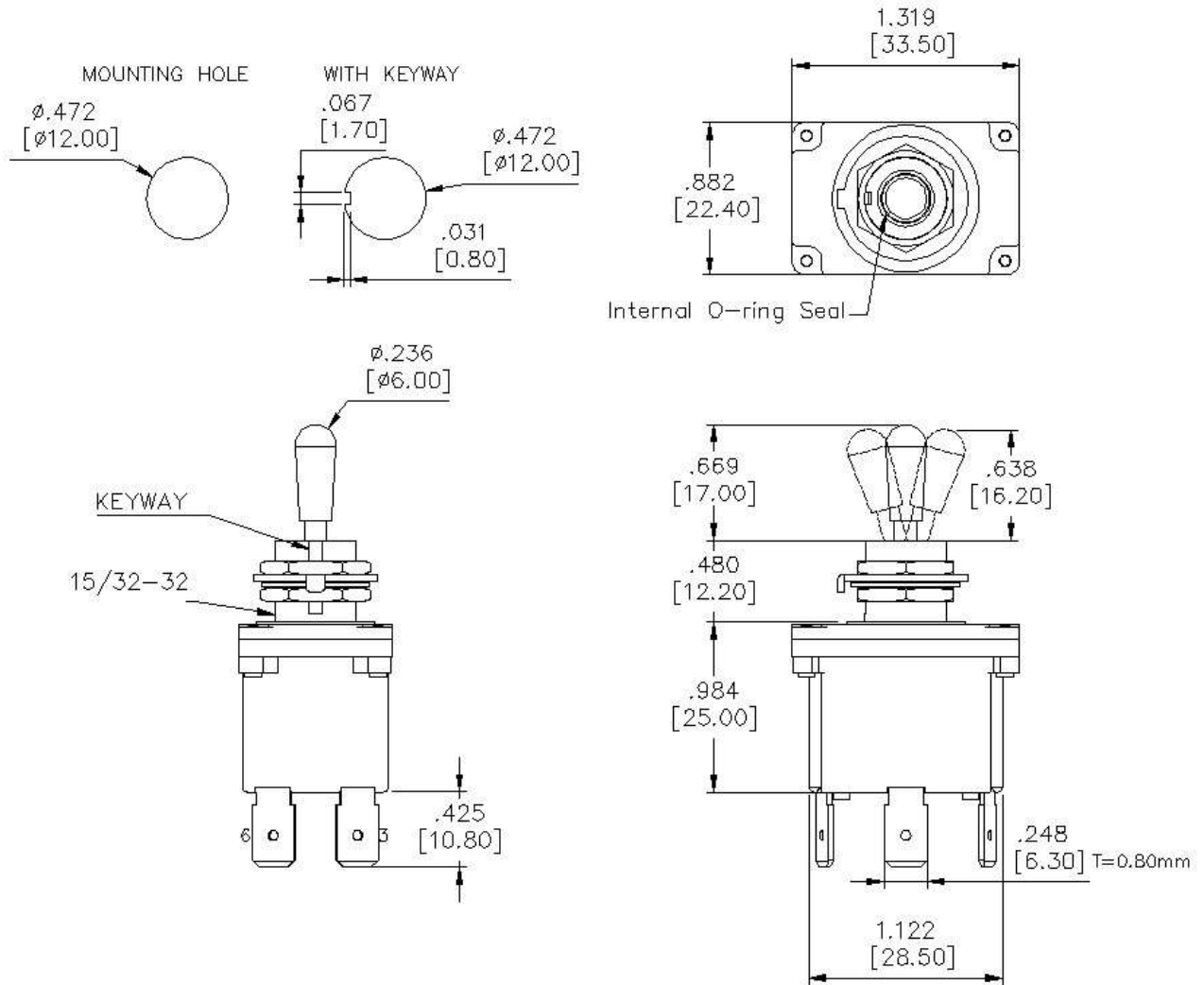


Schematic:

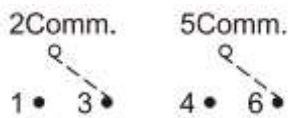


Stock No. 2066977

Drawing:

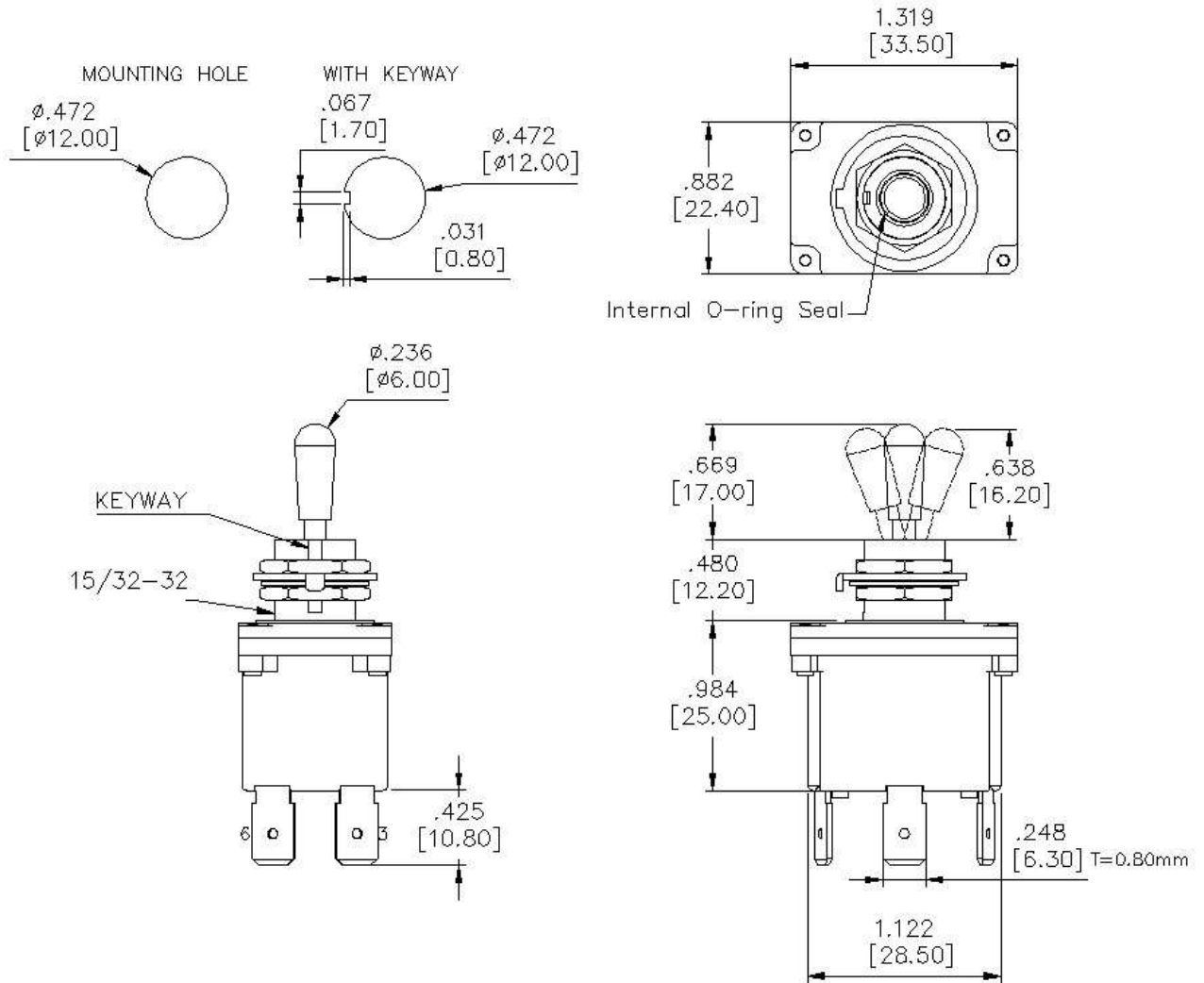


Schematic:

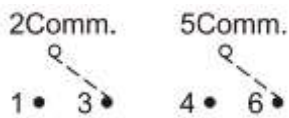


Stock No. 2066978

Drawing:

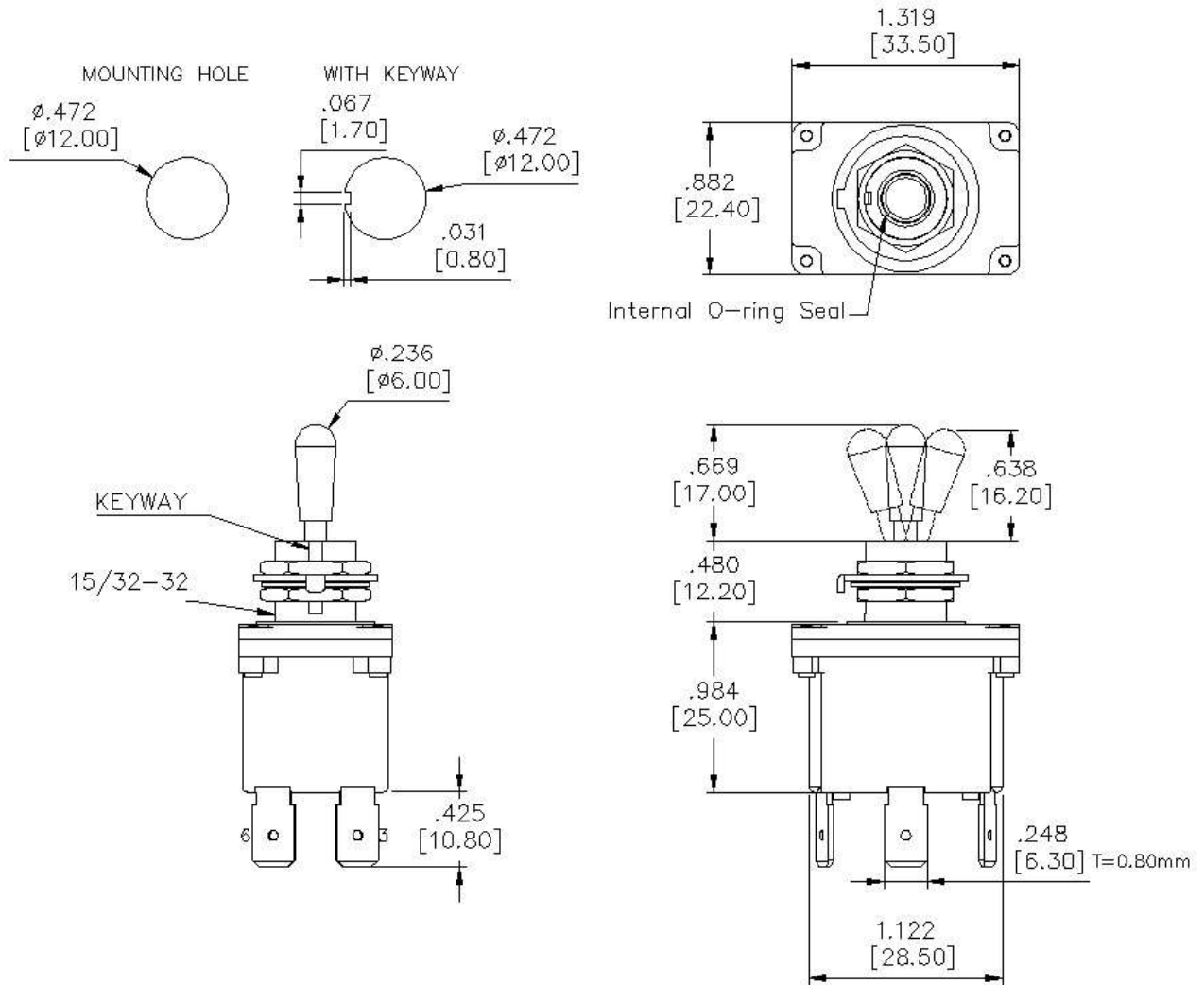


Schematic:



Stock No. 2066976

Drawing:



Schematic:

