

Datasheet

Connectors designed for high power applications, where a high quality, reliable, locking, touch-proof connector system is required.

Features

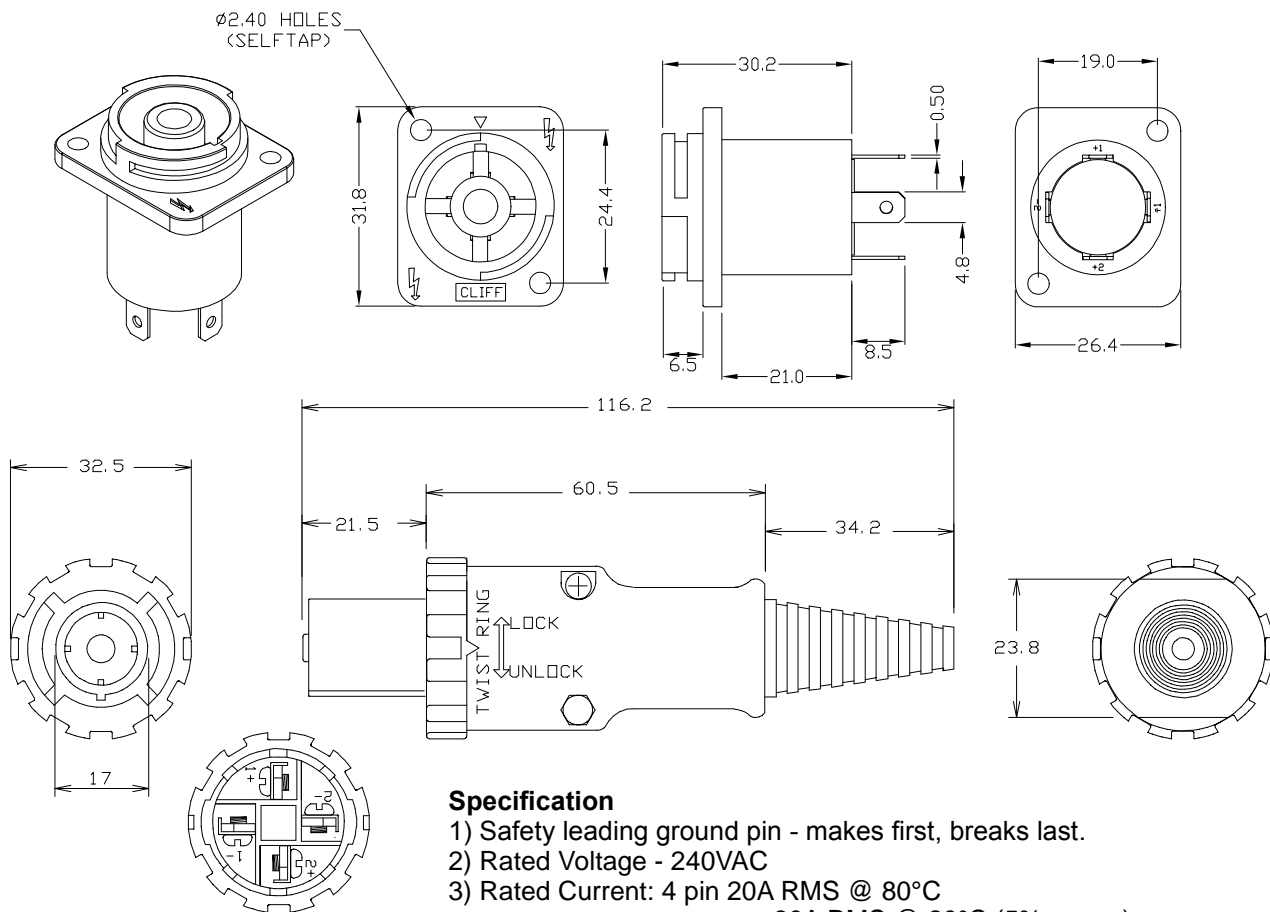
- Touchproof contacts to IEC65 / IEC 348
- Polarized
- Easy Locking / Unlocking
- Reliable wiping contacts / Gold plated
- Faston and screw / solder connections
- Built in cable clamp (6mm - 15mm cable)
- Chassis connector is panel airtight. Fits std XLR cutout
- Tough and durable



**RS 171-102
4 Pole Socket**



**RS 171-118
4 Pole Plug**



Specification

- 1) Safety leading ground pin - makes first, breaks last.
- 2) Rated Voltage - 240VAC
- 3) Rated Current: 4 pin 20A RMS @ 80°C
30A RMS @ 20°C (5% usage)
- 4) Inrush Current: >30A / 20mS
- 5) Contact Resistance: <3mΩ
- 6) Insulation Resistance: >20MΩ @ 4000V
- 7) Operating Temp: -20°C to +80°C
- 8) Max wire size: 6mm² / 10AWG solid, 4mm² / 12AWG stranded
- 9) Gold plated touchproof contacts to IEC65, IEC45 and IEC1010-1