



### Main

Range of product	Harmony XVG
Product or component type	Complete pre-wired monolithic tower light
Beacon or indicator bank unit type	3 illuminated units
Material	PC (UL94 V-2): globe ABS (UL94HB): tube body Aluminium: tube
Mounting diameter	60 mm
Component name	XVG
Device mounting	Direct tube mounting
Light source	LED steady red LED steady green LED steady amber
Light block color	Red/orange/green
Indicator bank base type	Base with integrated buzzer

### Complementary

Rated supply voltage	24 V AC/DC
Cable cross section	0.33 mm <sup>2</sup>
Discrete output type	PNP and NPN
[Uimp] rated impulse withstand voltage	0.5 kV
Current consumption	180 mA
Noise level	85 dB
Power consumption in W	4.1 W
Fundamental frequency	2.64 kHz
Net weight	0.4 kg

### Environment

Product certifications	CE[RETURN]EAC
Ambient air temperature for storage	-35...70 °C
Ambient air temperature for operation	-10...50 °C
IP degree of protection	IP23

### Packing Units

Unit Type of Package 1	PCE
Number of Units in Package 1	1
Package 1 Height	8.3 cm
Package 1 Width	14.2 cm
Package 1 Length	55.3 cm
Package 1 Weight	590.0 g
Unit Type of Package 2	S04
Number of Units in Package 2	8
Package 2 Height	30 cm
Package 2 Width	40 cm
Package 2 Length	60 cm

Package 2 Weight	3.94 kg
Unit Type of Package 3	P06
Number of Units in Package 3	30
Package 3 Height	72 cm
Package 3 Width	60 cm
Package 3 Length	80 cm
Package 3 Weight	26 kg

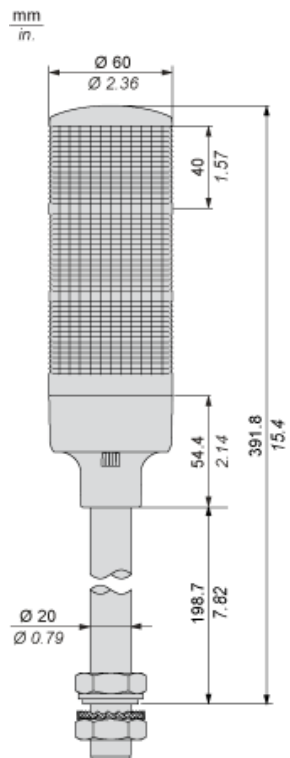
### Offer Sustainability

Sustainable offer status	Green Premium product
REACH Regulation	<a href="#">REACH Declaration</a>
EU RoHS Directive	Pro-active compliance (Product out of EU RoHS legal scope)
Mercury free	Yes
China RoHS Regulation	<a href="#">China RoHS Declaration</a>
RoHS exemption information	<a href="#">Yes</a>
Environmental Disclosure	<a href="#">Product Environmental Profile</a>
Circularity Profile	<a href="#">End Of Life Information</a>

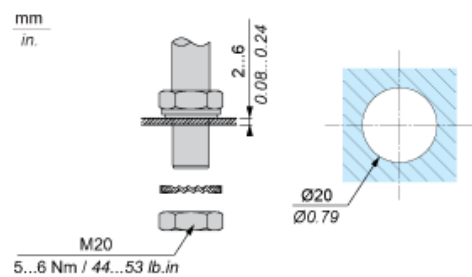
### Contractual warranty

Warranty	18 months
----------	-----------

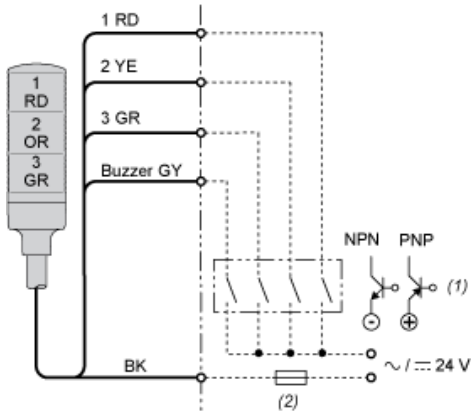
## Dimensions



Mounting



## Wiring



- (1) "ON" for lighting and/or applying continuous sound.  
(2) Fuse (rated current: 0.5 A)  
RD : Red  
YE : Yellow  
GR : Green  
GY : Grey  
OR : Orange  
BK : Black