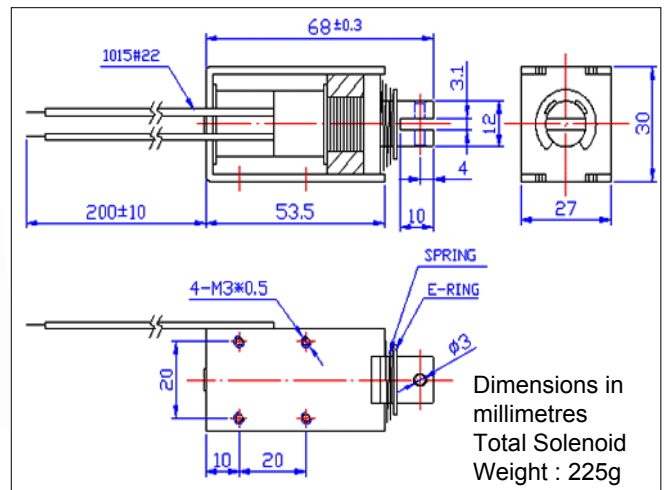
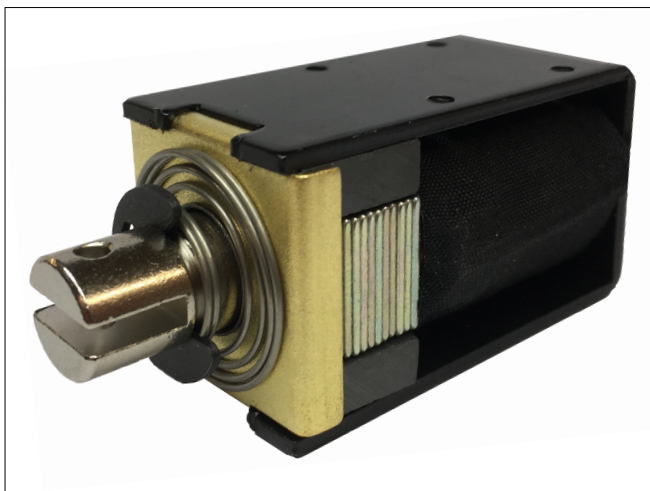


Datasheet

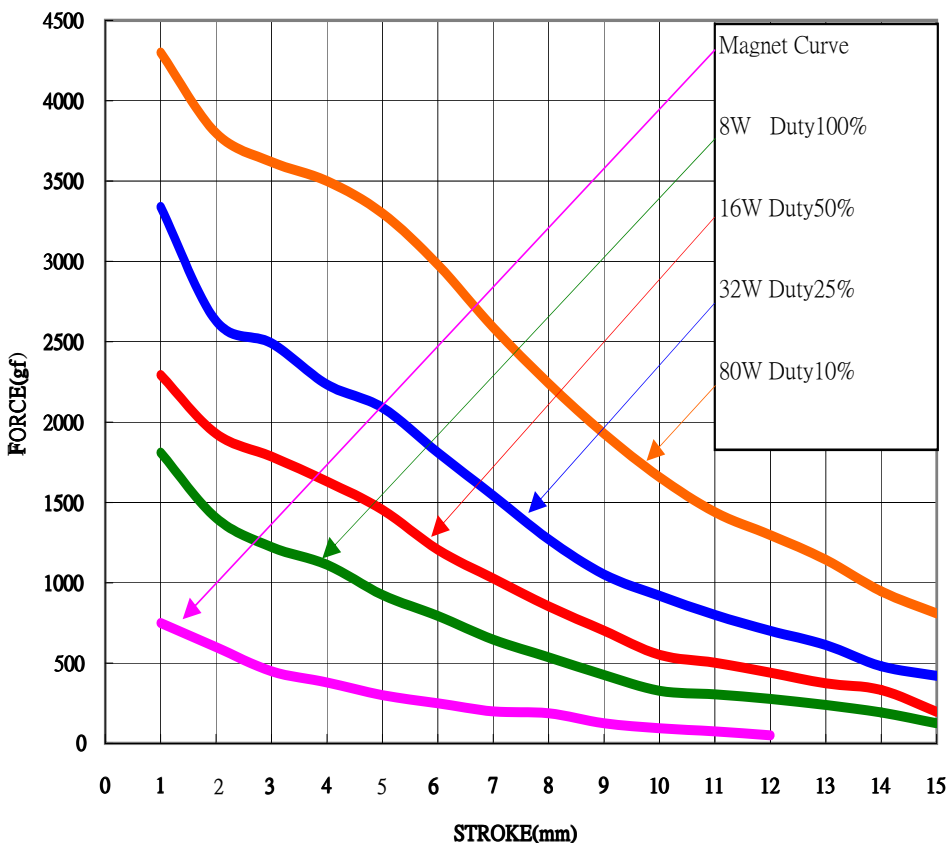
RS Article: 177 - 0140

Latching Solenoid 24V



Specifications:

Features:



- Pull type
- Flying leads
- Corrosion resistant plated parts
- Complete with spring