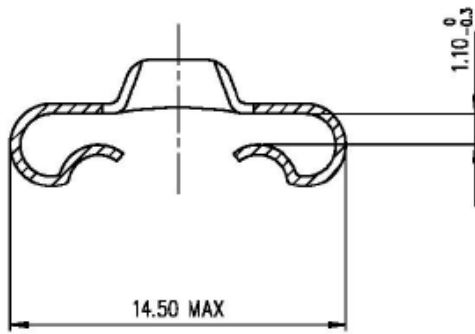
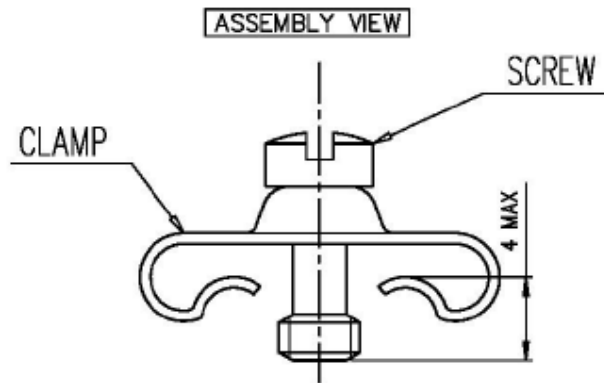
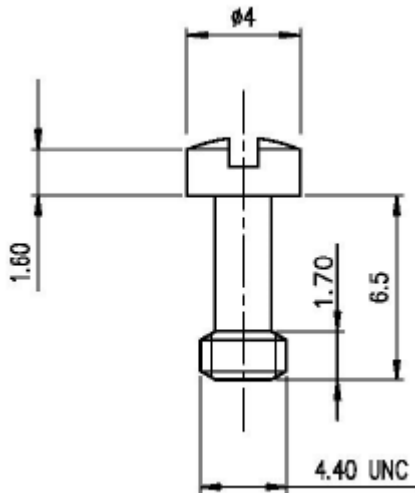


Professionally approved products.

Datasheet Locking Clip for DSUB

RS Stock number [252-260](#)

Dimensions(mm):



Specifications:

Material: Steel
 Plating: Tin
 Thread: UNC 4.40