

Datasheet

**RS Pro Fuse Blade, For Blade Auto Fuse Block**

**Stock No: 1884476,1884610**

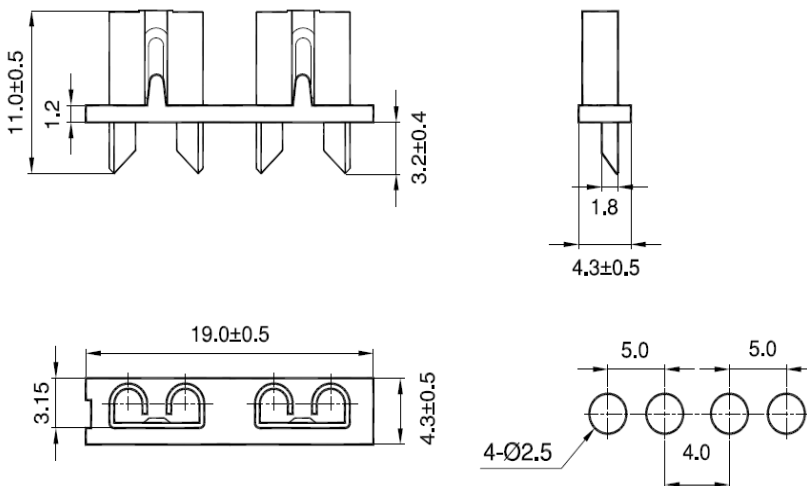


**Specifications:**

**Materials**

Nylon · Tin Plated Brass

**Drawing (mm):**



Tolerance :  $\pm 0.2$



ENGLISH

## Electrical Characteristic:

Rated Current / Voltage : 15A / 250V ◦  
Dielectric Strength : AC 2000V Min(60 Seconds).  
Insulation Resistance : 100M $\Omega$  Min (at 500V DC).  
Temperature Rise : 50°C Max ◦ (Using a shorting bar test)  
Voltage Drop : 20mV Max.  
Insulation body : Flame retarding UL 94 V-0.

## Reference:

Stock No	Rating amperes
1884476	15A 250V
1884610	15A 250V