

Datasheet

RS PRO INDUCTIVE PROXIMITY SENSORS

Stock No: 2066181





Detailed technical data

Features

Housing	Rectangular
Housing	Standard design
Dimensions (W x H x D)	40 mm x 40 mm x 118 mm
Sensing range S_n	40 mm
Safe sensing range S_a	32.4 mm
Installation type	Non-flush
Switching frequency	100 Hz
Connection type	Cable gland
Switching output	PNP
Output function	Complementary
Electrical wiring	DC 4-wire
Enclosure rating	IP67, IP68, IP69K
Special applications	Difficult application conditions

Mechanics/electronics

Supply voltage	10 V DC ... 30 V DC
Ripple	$\leq 10 V_{pp}$ 1)
Voltage drop	$\leq 2 V$
Current consumption	20 mA 2)
Time delay before availability	$\leq 200 ms$
Hysteresis	3 % ... 15 % 3)
Reproducibility	$\leq 6 \%$
Temperature drift (of S_r)	$\pm 10 \%$
Continuous current I_a	$\leq 200 mA$
Cable gland clamping area	M20 1.5
Wire size	$\leq 2.5 mm^2$

Short-circuit protection	✓
Reverse polarity protection	✓
Power-up pulse protection	✓
Shock and vibration resistance	30 g, 11 ms / 10 ... 55 Hz, 1 mm
Ambient operating temperature	-25 °C ... +85 °C
Ambient storage temperature	-40 °C ... +85 °C
Housing material	Plastic, PA 66
Sensing face material	Plastic, PA 66
Tightening torque, max.	1.8 Nm
Protection class	II 4)
UL File No.	E348498

1) Of Ub.

2) Without load.

3) Of S_r.

4) Reference voltage: 50 V DC.

Safety-related parameters

MTTF _D	1,406 years
DC _{avg}	0%

Reduction factors

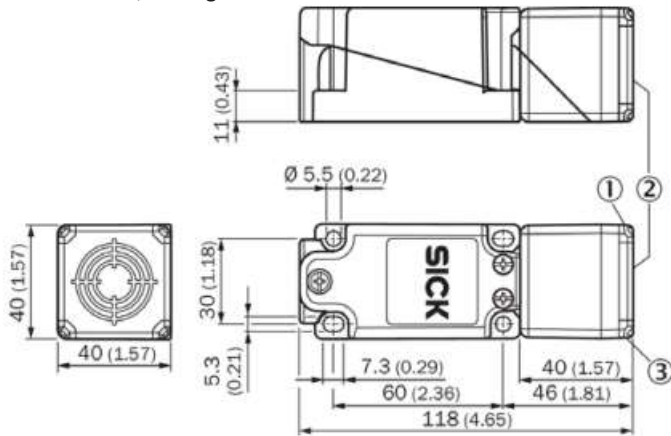
Note	The values are reference values which may vary
Stainless steel (V2A, 304)	Approx. 0.8
Aluminum (Al)	Approx. 0.34
Copper (Cu)	Approx. 0.27
Brass (Br)	Approx. 0.38

Installation note

Remark	Associated graphic see "Installation"
A	42 mm
B	150 mm
C	40 mm
D	120 mm
E	40 mm
F	150 mm

Dimensional drawing (Dimensions in mm (inch))

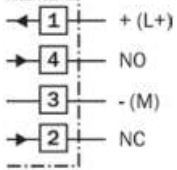
IQG Standard, cable gland



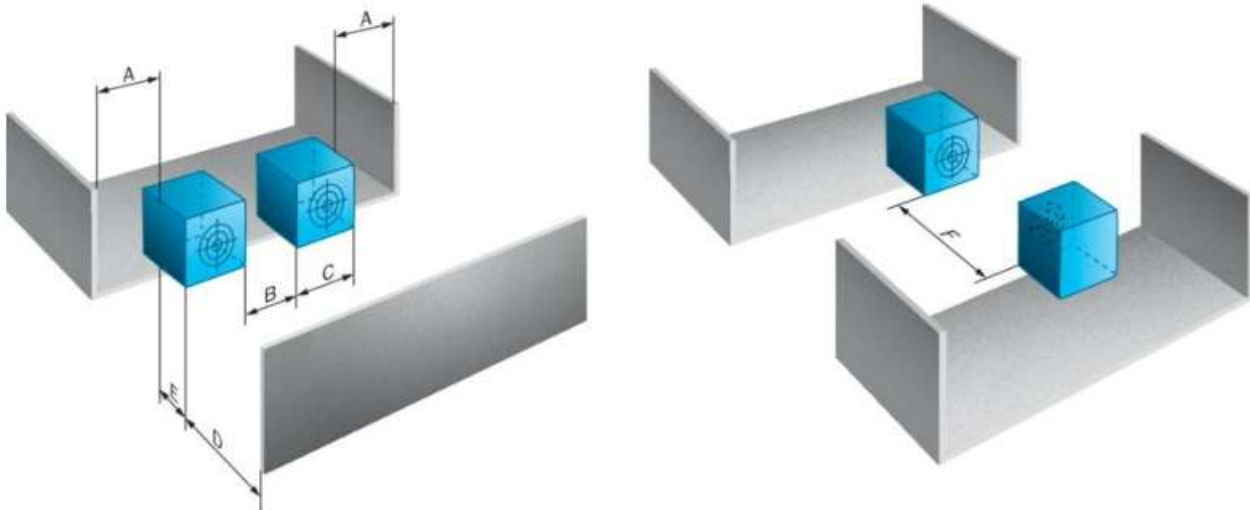
- 1 LED output state, yellow
- 2 Sensing face
- 3 Operational status LED, green

Connection diagram

Cd-030



Instruction for installation



Operating reserve

IQ40-40Nxxxxx

