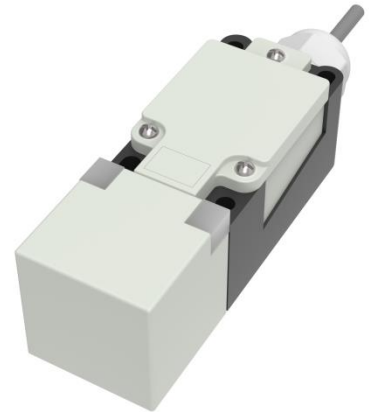


RS PRO Inductive Sensor

RS Stock No.: 2522027

FEATURES

- Extended sensing distance;
- ASIC design; safe and reliable;
- Perfect choice for metallic target detection.



RS Professionally Approved Products bring to you professional quality parts across all product categories. Our product range has been tested by engineers and provides a comparable quality to the leading brands without paying a premium price.

Specifications

Mounting	Quasi-flush
Rated distance Sn	20mm
Assured distance Sa	0...16mm
Shape size	40mm*40mm *140mm
Output	PNP NO+NC
Supply voltage	10...30 VDC
Standard target	Fe 75*75*1t
Switch point offset[%/Sr]	≤ ±10%
Hysteresis range [%/Sr]:	1...20%
Repeat accuracy	≤3%
Load current	≤200mA
Residual voltage	≤2.5V
Current consumption	≤10mA
Protection circuit:	Short-circuit, overload and reverse polarity
Output indicator:	Yellow LED
Ambient temperature	-25°C...70°C
Ambient humidity	35-95%RH
Switch frequency	200Hz
Voltage withstand	1000V/AC 50/60Hz 60S
Insulation resistance	≥50MΩ (500VDC)
Vibration resistance	10...50Hz(1.5mm)
Housing material	PBT
Connection	Terminal

Protection Category

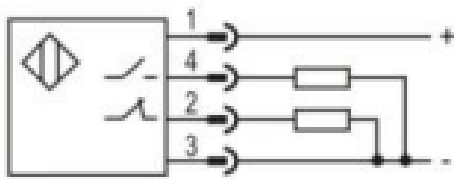
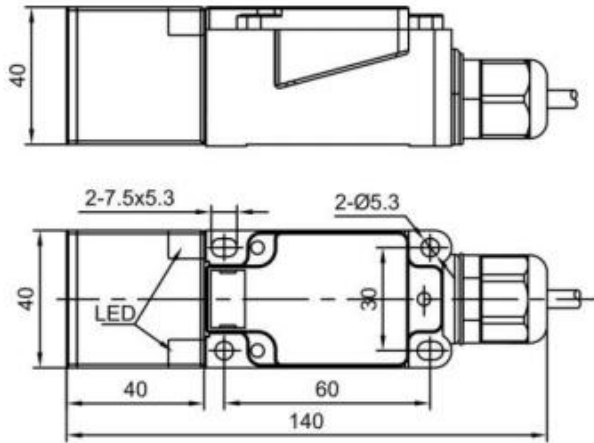
IP Rating IP67

Additional Information

Custom Tariff Number/HS code 903180

Approvals

Compliance/Certifications CE

Dimension and Wiring

PNP NO+NC