



ENGLISH

Datasheet

RS Article:1854789

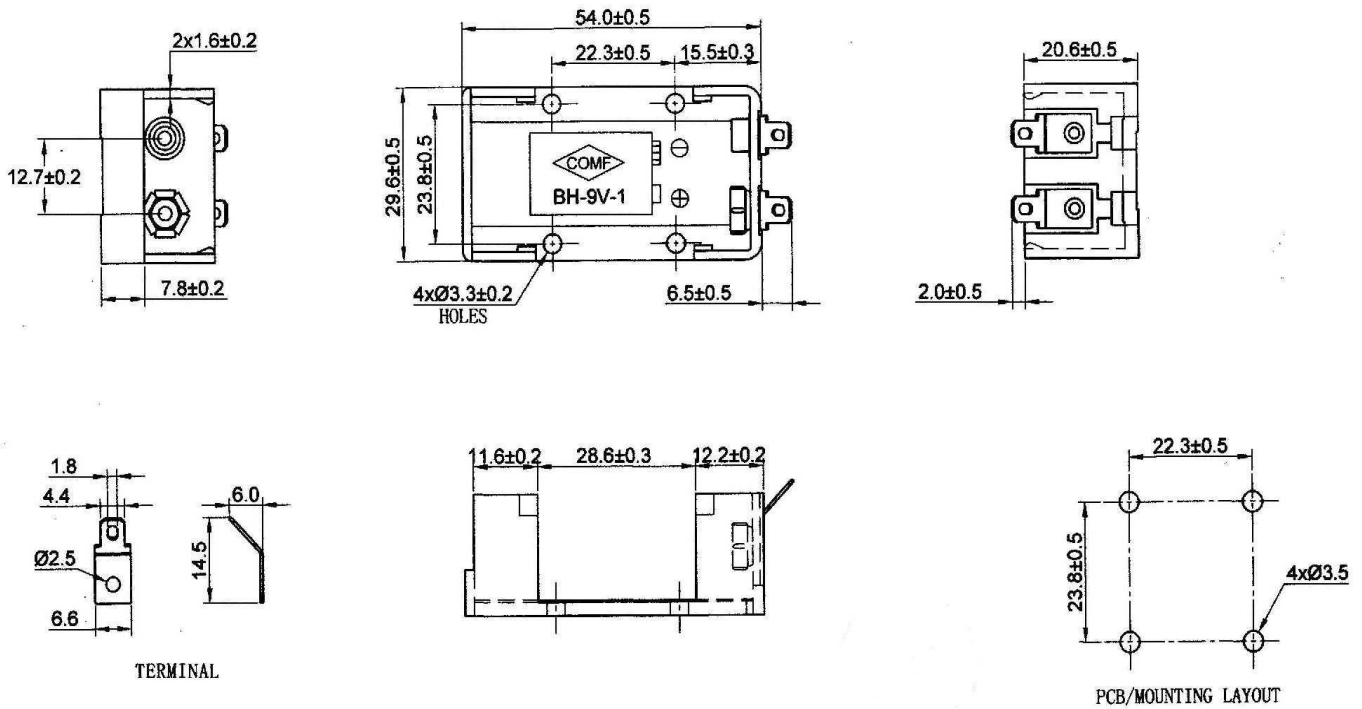
# RS Pro Battery Holder



## 1. Preface:

The purpose of this product specification is to dimension and drawing

# 9V with Terminal



## SPECIFICATION

- (1) ITEM NO. : 1854789
- (2) WITH TERMINAL : 0.5MM THICK, BRASS TIN PLATED
- (3) HOLDER MATERIAL : NYLON RESIN, BLACK COLOR
- (4) WITH 6 PRONG SNAP TERMINAL, BRASS NICKEL PLATED
- (5) RIVET MATERIAL : BRASS NICKEL PLATED
- (6) RoHS COMPLIANT

Measure: mm