



Datasheet

RS PRO Enclosures for power supplies

Stock number: 1920782

EN



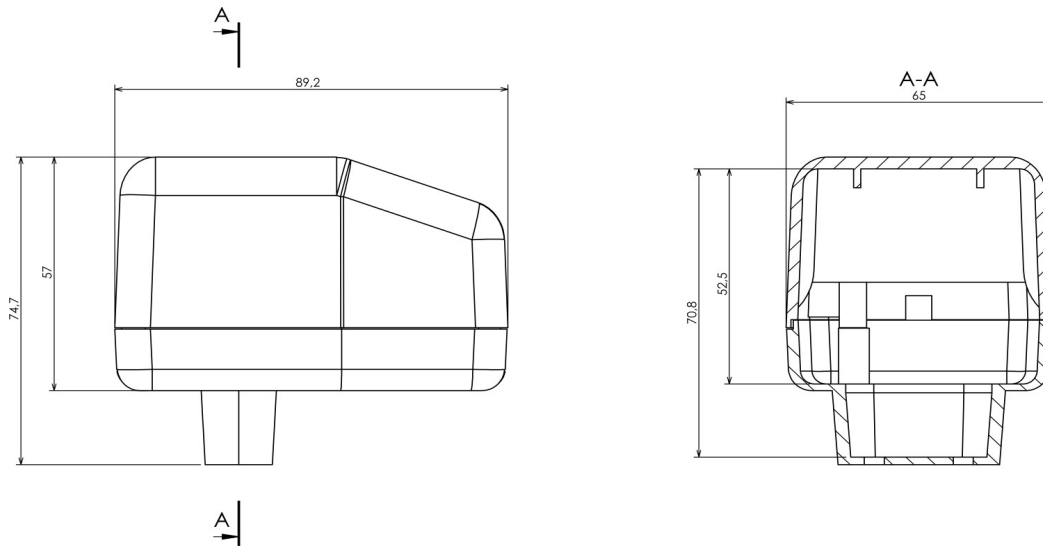
Product Details

Enclosure for power supplies. Enclosure is ventilated for better air circulation it provides IP20 and IK04 rating it is ideal for applications that doesn't require hermetic seal.

Features and Benefits

- Made of ABS
- Available in black color
- Protection against liquids and solid objects: IP20 rating
- Shock protection level: IK04 rating
- Supplied with screws and electric pins
- Sleeve for cable protection

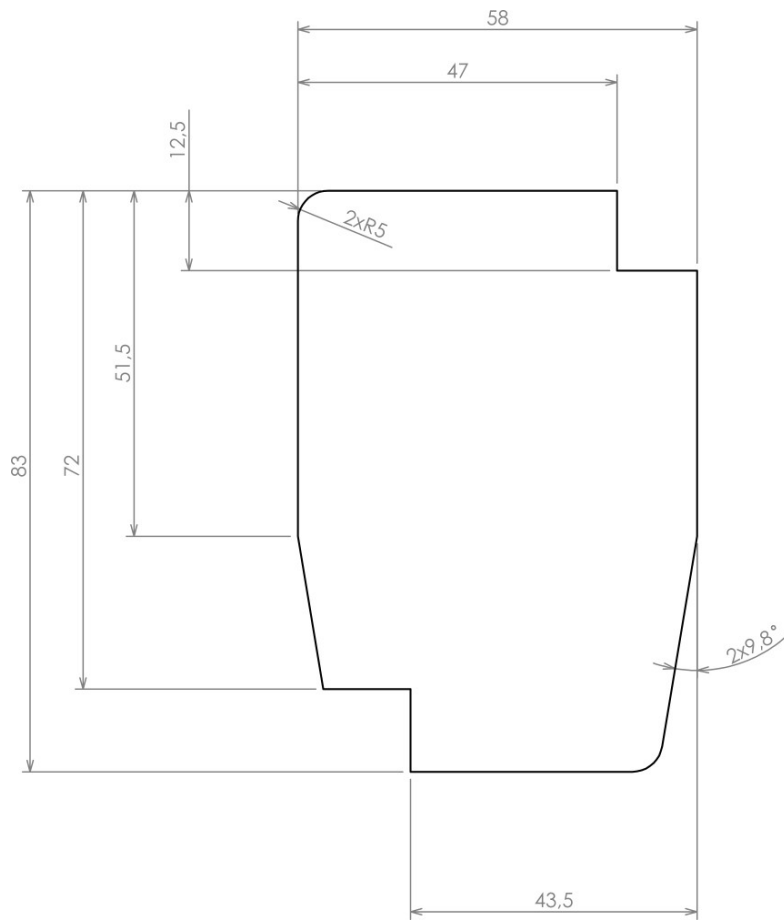
rspro.com



| | |
|--------------------|--|
| Category | Enclosures for power supplies |
| Type | Ventilated |
| Material | ABS |
| Option | Without gasket |
| Height | 57.0 mm |
| Width | 65.0 mm |
| Length | 89.0 mm |
| Colour | Black |
| Protection level | IP20 |
| Property class | IK04 |
| Standards Met | RoHS Compliant |
| Accessories | Sleeve $\phi 7$: 1.0 pcs Screw 3/30: 2.0 pcs Pin: 1.0 pcs |
| Certificate number | CE/031/18 |



Max PCB size



Dashed line shows outline of the mounting boss under PCB board
Recommended mounting holes diameter $\varnothing 3,5\text{mm}$
All dimensions are given within $\pm 0,5\text{mm}$ tolerance