

**RoHS  
Compliant**



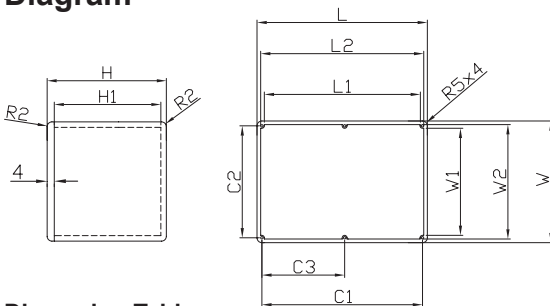
## Description

These aluminium enclosures are supplied with additional sealing gaskets to provide the ingress protection from penetration of dust and moisture up to IP66.

## Features

- Ingress protection from dust and moisture IP66 is provided by the use of the additional sealing gaskets.
- Stainless steel M3.5 flat-head screws are supplied with the enclosure for lid mounting.
- Holes for screws in the enclosure and the lid.
- Aluminium alloy ADC-12
- Natural colour

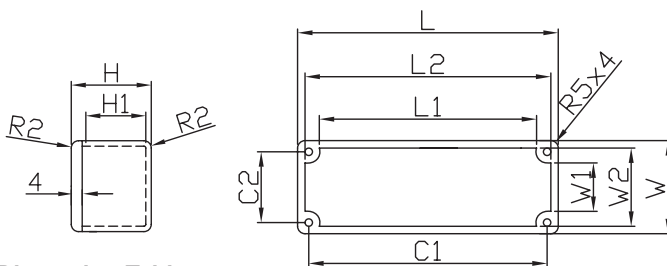
## Diagram



Dimension Table

Part Number	L	W	H	C1	C2	L1	L2	W1	W2	C3	H1
MC003591	222.1	145.9	55.9	211.7	135.4	205.0	218.7	129.0	141.8	105.8	49.2
MC003592	222.2	146.0	106.5	211.7	135.4	205.1	218.9	129.1	141.8	105.8	100.1
MC003589	171.9	120.9	55.0	160.4	109.3	153.9	168.1	102.9	117.0	80.3	49.0
MC003590	171.9	120.9	106.0	160.4	109.3	153.8	168.0	102.8	116.9	80.3	100.1

Dimensions : Millimetres

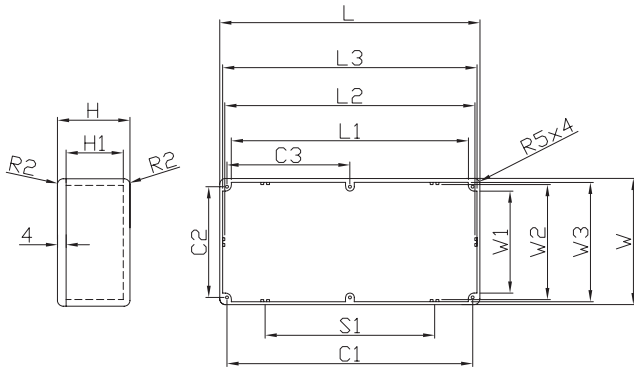


Dimension Table

Part Number	L	W	H	C1	C2	L1	L2	W1	W2	H1
MC003583	114.5	63.6	30.3	104.5	54.2	98.3	111.5	47.7	60.9	24.7

Part Number	L	W	H	C1	C2	L1	L2	W1	W2	H1
MC003584	114.4	63.7	55.1	104.6	54.2	98.3	111.5	47.6	60.8	49.3
MC003585	114.7	89.7	55.1	104.4	79.6	98.4	111.5	73.0	86.2	49.3
MC003580	89.1	35.0	30.3	79.3	25.3	72.8	85.9	18.7	31.9	24.8

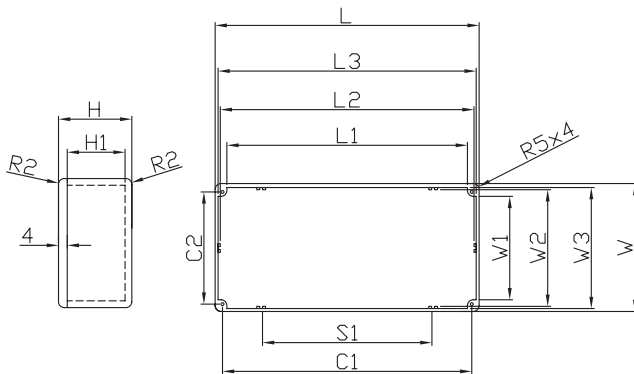
Dimensions : Millimetres



Dimension Table

Part Number	L	W	H	C1	C2	S1	L1	L2	L3	W1	W2	W3	C3	H1
MC003593	275.0	175.0	65.5	264.1	164.0	132.2	258.2	267.3	271.2	157.4	166.2	170.8	132.1	58.6
MC003588	165.8	127.3	76.3	154.0	116.1	77.1	147.6	157.9	162.2	109.4	119.4	123.8	77.1	70.1

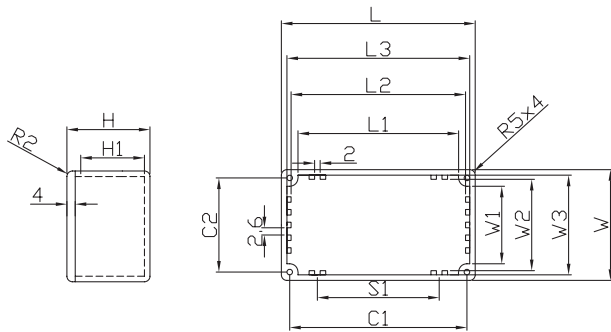
Dimensions : Millimetres



Dimension Table

Part Number	L	W	H	C1	C2	S1	L1	L2	L3	W1	W2	W3	H1
MC003586	119.9	100.0	35.7	108.5	88.4	50.1	101.9	112.2	116.5	81.8	91.9	96.1	29.2
MC003587	139.1	101.5	76.7	128.7	90.7	64.8	121.8	130.9	135.0	83.9	93.3	97.5	69.8

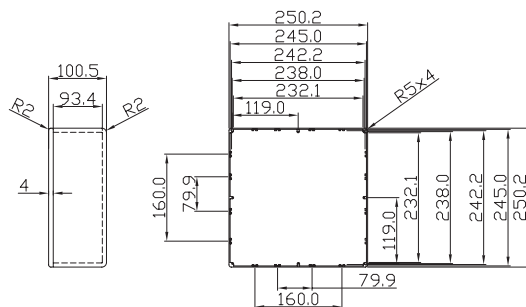
Dimensions : Millimetres



Part Number	L	W	H	C1	C2	S1	L1	L2	L3	W1	W2	W3	H1
MC003582	79.9	54.9	25.5	70.5	45.4	40	64	73.8	76.8	38.7	48.8	51.7	19.7
MC003581	60	54.9	30	50.6	45.4	30	43.8	54	56.9	38.9	48.8	51.8	24.6

Dimensions : Millimetres

### Dimensions for MC003594



Dimensions : Millimetres

### Part Number Table

Description	Part Number	Description	Part Number
IP66 Natural Colour Diecast Aluminium Enclosure	MC003591	IP66 Natural Colour Diecast Aluminium Enclosure	MC003589
	MC003583		MC003587
	MC003584		MC003582
	MC003592		MC003588
	MC003593		MC003581
	MC003594		MC003580
	MC003586		MC003590
	MC003585		

**Important Notice :** This data sheet and its contents (the "Information") belong to the members of the AVNET group of companies (the "Group") or are licensed to it. No licence is granted for the use of it other than for information purposes in connection with the products to which it relates. No licence of any intellectual property rights is granted. The Information is subject to change without notice and replaces all data sheets previously supplied. The Information supplied is believed to be accurate but the Group assumes no responsibility for its accuracy or completeness, any error in or omission from it or for any use made of it. Users of this data sheet should check for themselves the Information and the suitability of the products for their purpose and not make any assumptions based on information included or omitted. Liability for loss or damage resulting from any reliance on the Information or use of it (including liability resulting from negligence or where the Group was aware of the possibility of such loss or damage arising) is excluded. This will not operate to limit or restrict the Group's liability for death or personal injury resulting from its negligence. Multicomp Pro is the registered trademark of Premier Farnell Limited 2019.