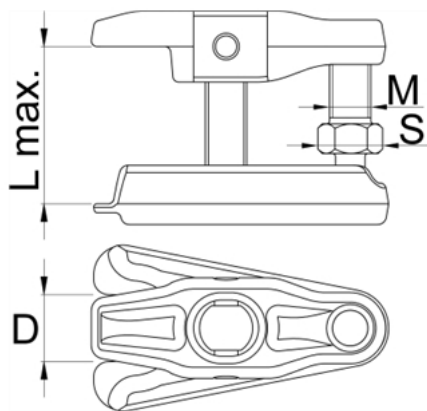


Ball joint puller - 2032/2



Description

- material: special tool steel
- jaw capacity: 23mm
- maximal height: 53mm
- for extracting ball joints from steering wheel and suspensions

Technical Data

Barcode	D	H	Weight	Box	Case	Other
619736	23	53	780	1G	1	-

Packaging data

Barcode	D	Retail tool packaging			Transport package			Weight
		Retail packaging in mm (length)	Retail packaging in mm (width)	Retail packaging in mm (height)	Transport packaging in mm (length)	Transport packaging in mm (width)	Transport packaging in mm (height)	
619736	23	82	126	60	82	126	60	850